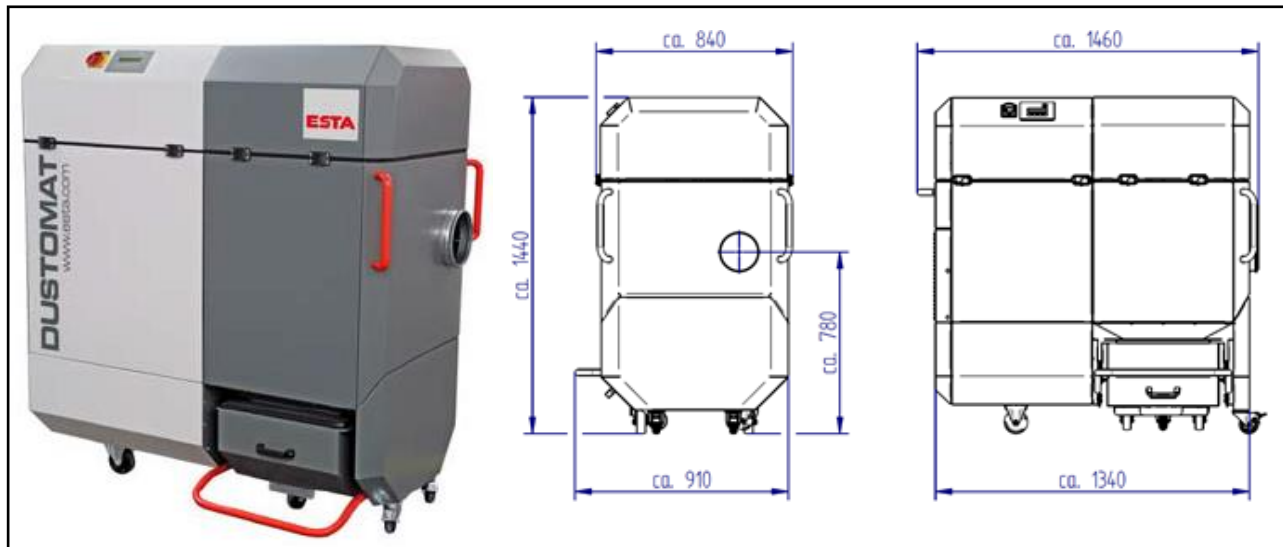


DUSTOMAT 4-10 H Display

09.731

Voltage	(V)	400	Main filter surface	(m ²)	10
Motor	(kW)	2,2	Main filter no. of filter elements	(pc)	2
Rated frequency	(Hz)	50	Main filter dust classification	M – filter cartridge	
Fuse	(A)	C16	Filter cleaning	Jet cleaning system	
Max. airflow	(m ³ /h)	1,500	Control filter surface	(m ²)	12,8
Max. neg. pressure	(Pa)	2,500	Control filter no. of filter elements	(pc)	1
Intake - ø	(mm)	125	Control filter classification	H – filter cassette	
Sound level	(dBA)	64	Dust collection bin	(Liter)	38
Comp. air requirement*	(l/impuls)	approx. 19	Dimension (l x w x h)	(mm)	1.460 x 935 x 1.440
Comp. air connection	(bar)	5 - 6"	Weight	(Kg)	260

*at 4 bar with Valve opening 0,12 sec



ESTA PLUS

Application range:

- Dust extraction at individual or multiple workstations or machines in industrial plants or smaller shops
- Pourable, dry, and hazardous dust and chips for the dust class H (DIN EN 603352-2-69 appendix AA)

Your benefits at a glance:

- All-purpose for dust and shavings
- Compact and powerful
- Convenient dust disposal
- Extremely quiet operation
- Low operating costs
- New innovative cabinet design, therefore providing a small footprint
- H-certified

Characteristics:

- Integrated impact separator
- Mobile dust collection drawer for easy disposal
- Mobile on rolls
- Pre filter: Cleanable long life cartridge filters (dust classification M)
Main filter: Filter cassette dust classification H
- Test certificate: dust class H (IFA 1505026)

Custom design/optional:

- with different filter cartridges, exhaust air connection,
- special voltage, special painting, pre separators, external control with potential-free contact

State of the art: 09731-51-01 Subject to change without notice! For remaining questions, please do not hesitate to contact us.

ESTA Extraction USA L.P.
2321-A Distribution Street
Charlotte, NC 28203

Phone +1-800-968-ESTA
Fax +1-704-971-6966
E-Mail info@esta-usa.com

www.esta-usa.com