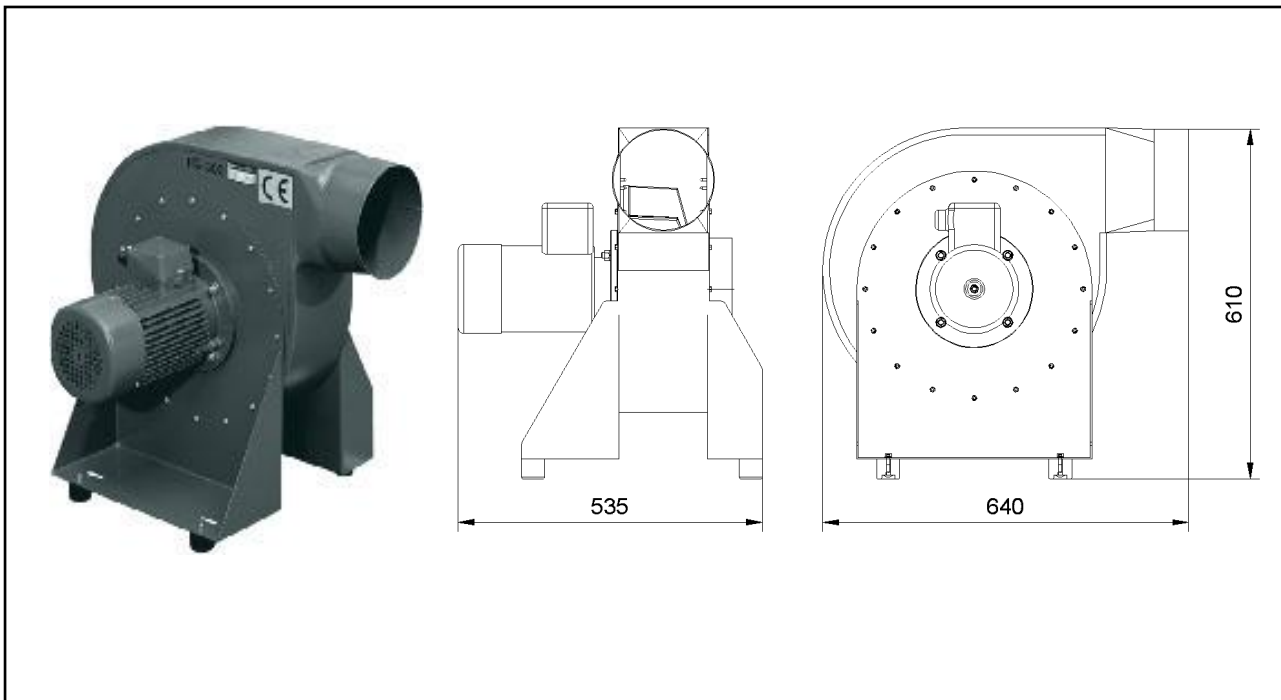


RG-300

(01.031)

Motor	(kW)	2,2	max. airflow	(m ³ /h)	2.300
Voltage	(V)	400	Max. neg. pressure	(Pa)	3.000
Current	(A)	4,46	Outtake	(mm)	180
Rated frequency	(Hz)	50	Intake	(mm)	180
Fuse	(A)	16	Weight	(kg)	38
			Dimensions	(mm)	640 x 535 x 610



ESTA PLUS

Application range:

- Extraction of individual and multiple
- workstations in industrial and skilled trade applications

Characteristics:

- Adjustable exhaust air outlet

Your benefits at a glance:

- High performance
- Heavy duty construction
- Low operating costs
- Wide range of applications

Modification:

- AC current
- Stainless steel (V2 A)
- Motor mounted on the left hand side
- ignition free
- special painting

State of the art: 01031-51-00 Subject to change without notice! For remaining questions, please do not hesitate to contact us.

ESTA Apparatebau GmbH & Co. KG
Gotenstraße 2 – 6
89250 Senden

Telefon 07307 804-0
Telefax 07307 804-500
E-Mail info@esta.com

www.esta.com