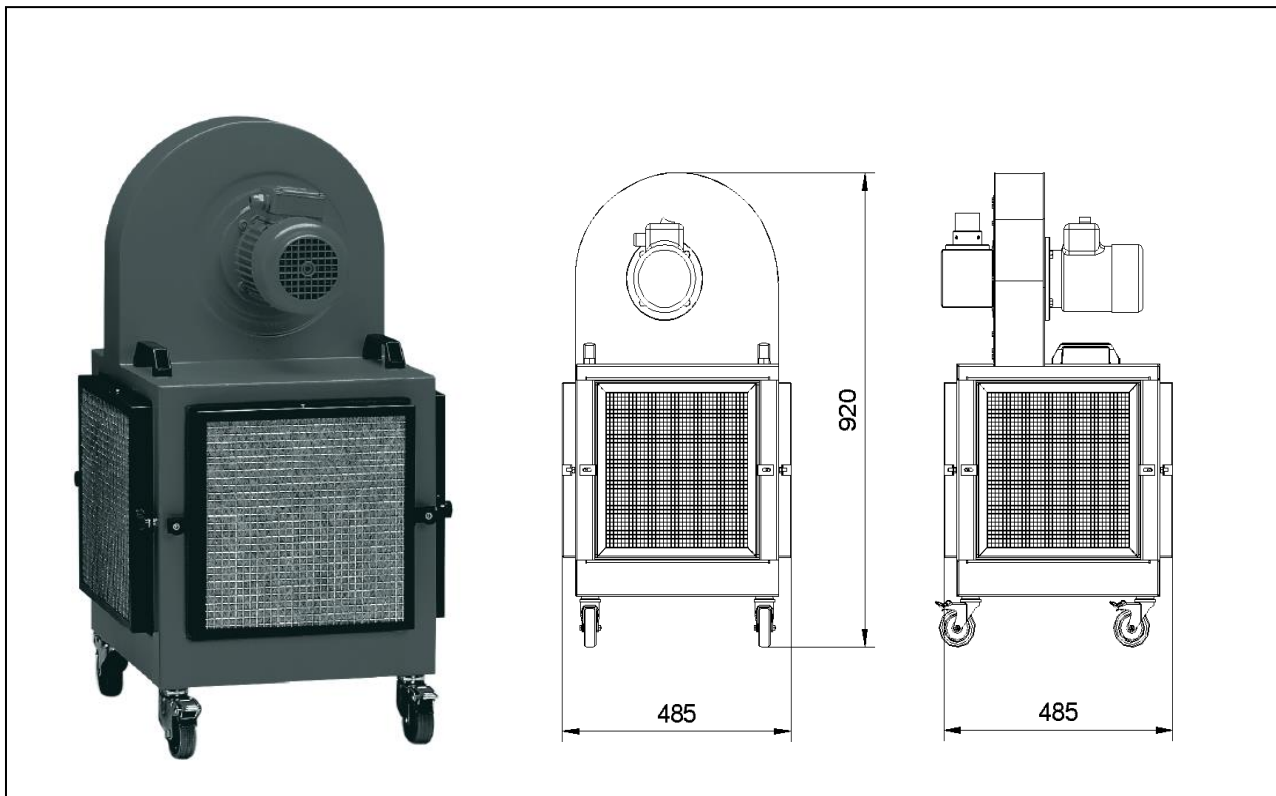


KAF 100

(07.101L)

Voltage	(V)	230	max. neg. pressure	(Pa)	1.100
Motor	(kW)	0,55	max. air flow	(m ³ /h)	700
Rated frequency	(Hz)	50	Weight	(kg)	42
Mode of operation		S3	Intake diameter	(mm)	1 x 100 or 2 x 50
Sound level	dB (A)	68	Dimensions (L x B x H)	(mm)	485 x 485 x 920

*at 4 bar with valve opening 0,12 sec



ESTA PLUS

Application Range:

- Extraction of single workstations in laboratories and precision mechanical workplaces
- Soldering fume

Your benefits at a glance:

- Mobile for versatile use
- Compact and functional design.
- Odor reduction through optional activated carbon filter

Characteristic:

- Filter cassette with active carbon

Modifications:

- special painting
- special voltage
- odor reduction through optional filter, with dust filter

State of the art: 07101L-51-00 Subject to change without notice! For remaining questions, please do not hesitate to contact us.