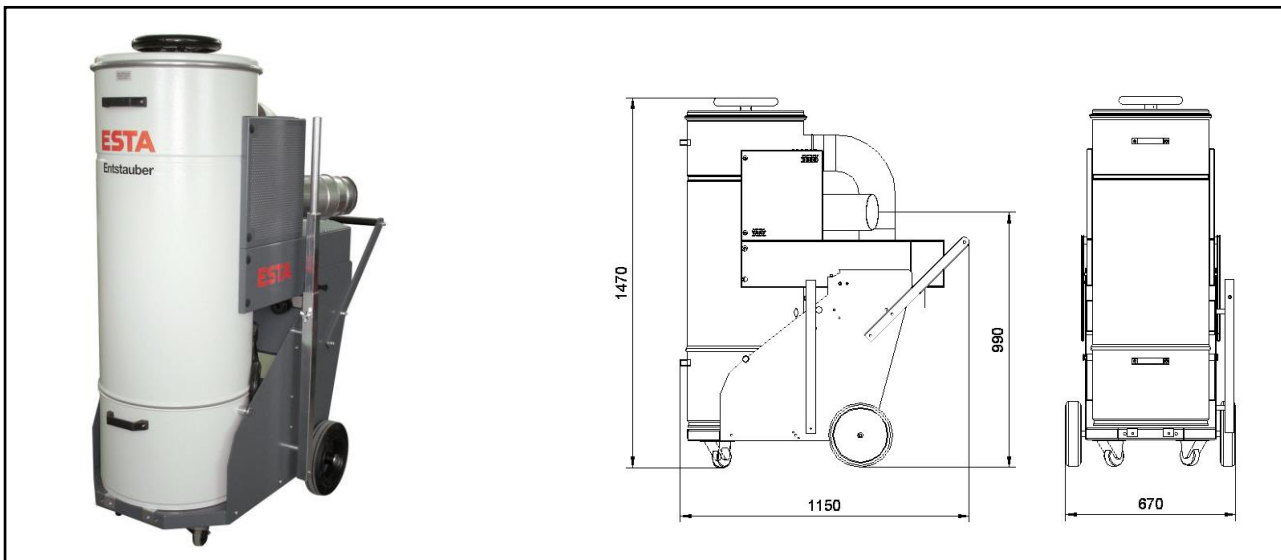


# DUSTOMAT 16 M (230V)

(09.420)

Voltage	(V)	230	Filter surface	(m <sup>2</sup> )	9,4
Motor	(kW)	1,3	No. of filter elements	(pc)	1
Ampere	(A)	7,5	Filter cleaning	manual pneumatically	
Rated frequency	(Hz)	50	Filter material	„M“-classified	
Fuse	(A)	16	Intake	∅ (mm)	125
max. neg. pressure	(Pa)	2,000	Weight	(kg)	110
max. air flow	(m <sup>3</sup> /h)	1,140	Dust collection bin	(liter)	45
Sound level	dB(A)	83	Dimension (L x W x H)	(mm)	1.150 x 670 x 1.470
Comp. air connection	(inch)	¼			



## ESTA PLUS

### Application range:

- Dust extraction of individual machines and
- Manual workstations
- Pourable dust types – including hazardous types of dust
- Suitable for extraction of hazardous types of dust (particular mineral dusts)

### Your benefits at a glance

- Low operating costs
- cleanable long life filter cartridges
- Mobility combined with high extraction performance
- Tilt-back filter housings for easy dust disposal
- Suitable for most types of dust
- Extremely quiet operation

### Characteristics:

- Filter cleaning method: manual pneumatically
- Cleanable long life cartridge filter (dust classification M)
- Test Certificate dust classification „M“
- Equipped with volume stream control and acoustic signal transmitter

### Custom design/optional:

- Special equipment with different filter cartridges
- special voltage
- special painting

**State of the art: 09420-51-03** Subject to change without notice! For remaining questions, please do not hesitate to contact us.

ESTA Apparatebau GmbH & Co. KG  
 Gotenstraße 2 – 6  
 89250 Senden / GERMANY

Phone +49 7307 804-0  
 Fax +49 7307 804-500  
 E-Mail info@esta.com

[www.esta.com](http://www.esta.com)