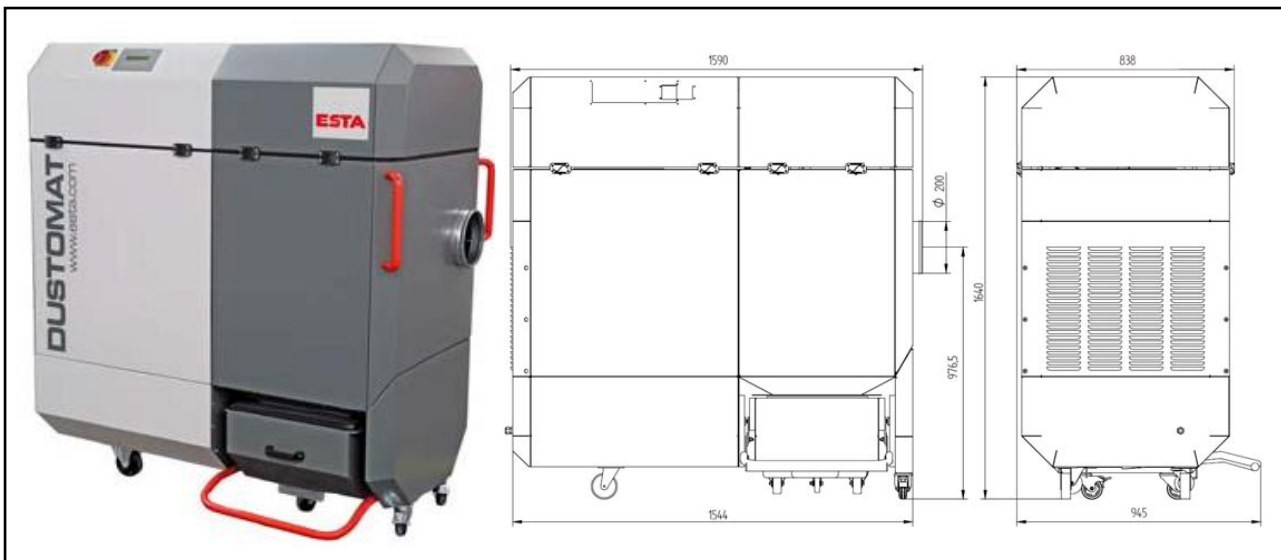


DUSTOMAT 4-10

(09.730)

| | | | | | |
|--------------------|---------------------|-------|------------------------|---------------------|---------------------|
| Voltage | (V) | 400 | Filter surface | (m ²) | 10 |
| Motor | (kW) | 2.2 | No. of filter elements | (pc) | 2 |
| Rated frequency | (Hz) | 50 | Filter cleaning | Jet cleaning system | |
| Fuse | (A) | 16 | Weight | (kg) | 230 |
| Intake | (mm) | 160 | Dust collection bin | (liter) | 38 |
| max. neg. pressure | (Pa) | 2,600 | Dimension (L x W x H) | (mm) | 1,460 x 935 x 1,440 |
| max. air flow | (m ³ /h) | 2,000 | Comp. air requirement | (l/impuls) | approx. 19 |
| Sound level | dB(A) | 68 | Comp. air connection | (bar) | 4 – 6 |

*at 4 bar with valve opening 0,12 sec



ESTA PLUS

Application range:

- Dust extraction at individual or multiple workstations or
- machines in industrial plants or smaller shops
- Pourable dust
- Dry chips

Your benefits at a glance

- All-purpose for dust and shavings
- Compact and powerful
- Low operating costs
- Convenient dust disposal
- Extremely quiet operation
- Test certificate for special application
- New innovative cabinet design, therefore providing a small footprint

Characteristics:

- Pulse-jet filter cleaning system
- Cleanable long life cartridge filters (dust classification M)
- Integrated impact separator
- Mobile dust collection drawer for easy disposal
- Total capacity dust collection bin ~90 l
- Mobile on rolls

Custom design/optional:

- stationary
- ATEX-Modification
- with Backup filter cassette (dust class H)
- with floating contact

State of the art: 09730-51-01 Subject to change without notice! For remaining questions, please do not hesitate to contact us.

ESTA Apparatebau GmbH & Co. KG

Phone +49 7307 804-0

Gotenstraße 2 – 6

Fax +49 7307 804-500

89250 Senden / GERMANY

E-Mail info@esta.com

www.esta.com