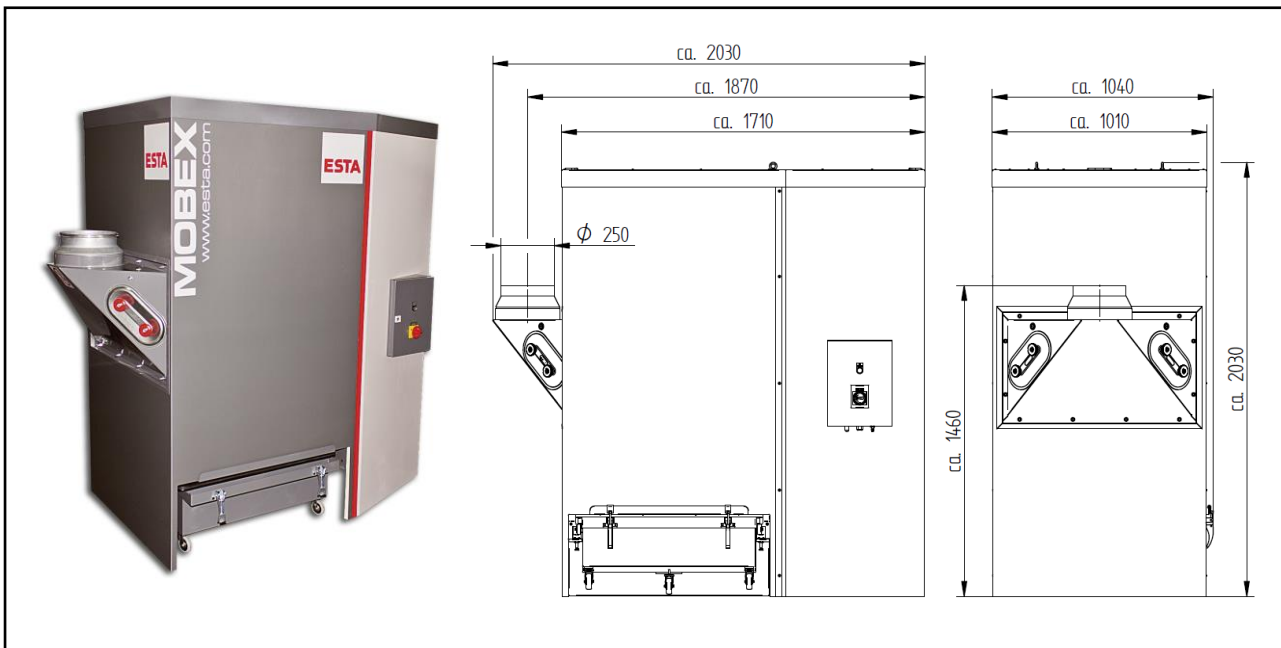


MOBEX P-36

(09.832)

Motor	(kW)	4,0	Filter surface	(m ²)	36
Voltage	(V)	400	No. of filter elements	(pc)	3
Rated frequency	(Hz)	50	Filter cleaning		Jet Pulse
Fuse	(A)	16	Dust collection drawer	(Liter)	100-150
max. airflow	(m ³ /h)	4.500	Dimensions (L x B x H)	(mm)	2.030x1.040x2.030
max. neg. pressure	(Pa)	3.400	Weight	(Kg)	350
Intake	(mm)	250	Comp. Air requirement	(l/impuls)	19
Sound level	(dBA)	74	Comp. Air connection	(bar)	4-6

* with 4 bar and valve opening time of 0,12sec



ESTA PLUS

Application range:

- Single and multiple extraction in industrial plants or smaller workshops
- Pourable dusts and chips
- Dry dusts and chips

Your benefits at a glance:

- All-purpose for dusts and chips
- Tight and powerful
- Convenient dust disposal
- Low operation noise
- Low operating costs
- Test certificates for special applications

Characteristics:

- Automatic jet pulse filter cleaning system
- Cleanable long life cartridge filters (dust classification M)
- Integrated impact separator
- Easy replaceable dust collection bins
- New housing structure of sandwich panel

Modifications:

- Mobile on wheels (H + 107 mm)
- ATEX-version
- With postfilter cartridge (dust classification H)
- With dry contact for external control
- Test certificate W3 for extraction of stainless welding fumes

State of the art: 09832-51-01 Subject to change without notice! For remaining questions please do not hesitate to contact us.

ESTA Apparatebau GmbH & Co. KG
Gotenstraße 2 – 6
89250 Senden

Telefon 07307 804-0
Telefax 07307 804-500
E-Mail info@esta.com

www.esta.com