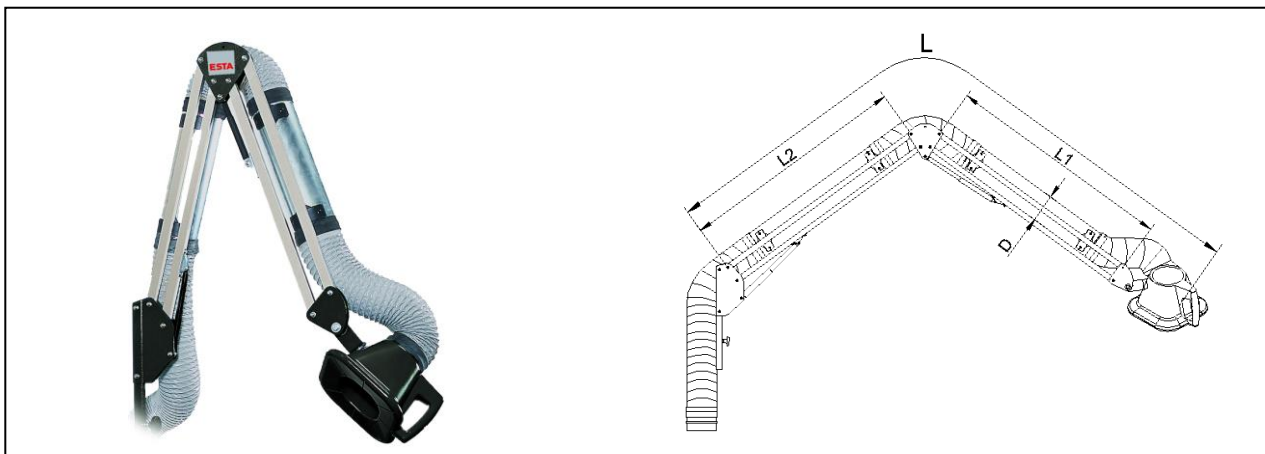


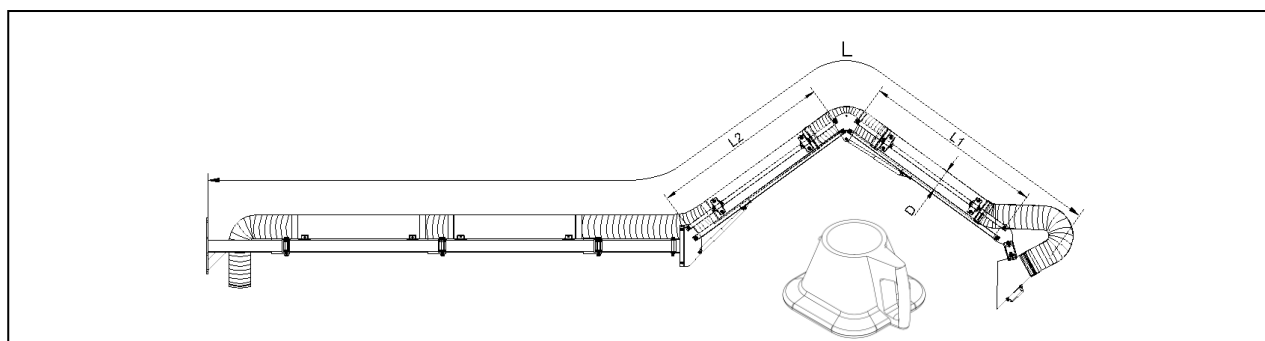
Standard extraction arm

Plastic hood



D (mm)	L (mm)	L1/L2 (mm)	Order-no.
140	1.500	580	14.154
140	2.000	830	14.204
140	3.000	1.250	14.304
140	4.000	1.750	14.4044

with extension (2m and 3m)



D (mm)	L (mm)	L1/L2 (mm)	extension length (mm)	Order-no.
140	4.000	830	2.000	14.404W
140	5.000	1.250	2.000	14.504W
140	6.000	1.250	3.000	14.604W

State of the art: 14154-51-00 Technical changes reserved! If you have any further questions please do not hesitate to contact our ESTA experts.