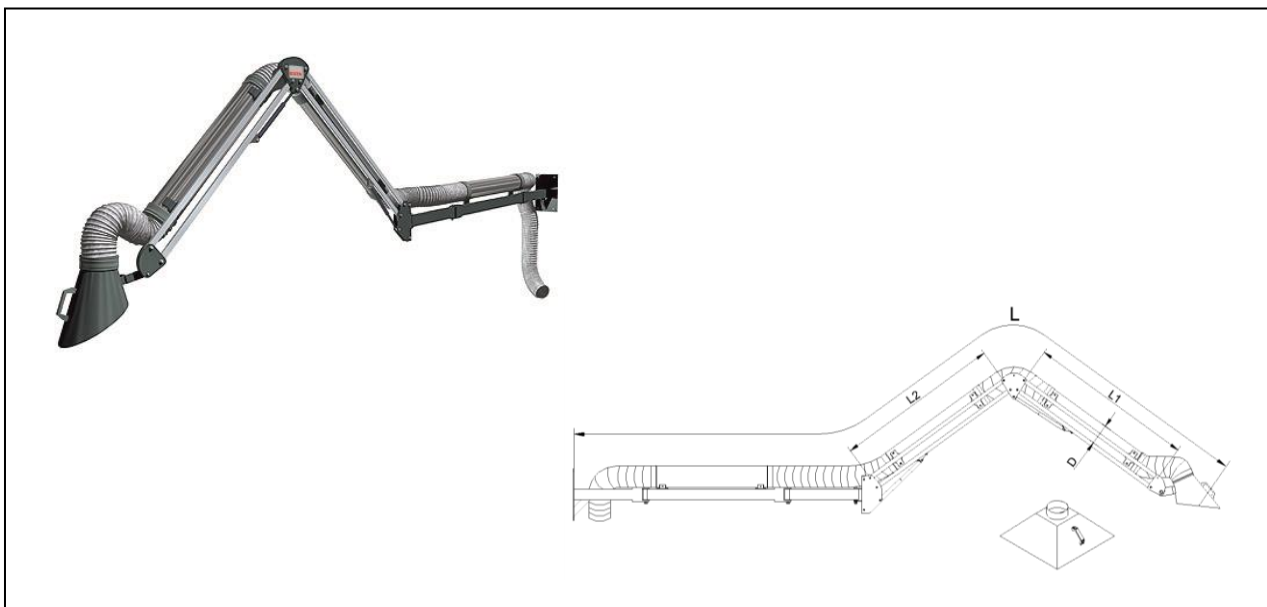


Extraction arm with extension 2 m



D (mm)	L (mm)	L1/L2 (mm)	Order-no. with hood type		
			oval	square 500x500	square 600x600
100	4.000	830	10.402W	10.403W	-
100	5.000	1.250	10.502W	10.503W	-
125	4.000	830	12.402W	12.403W	-
125	5.000	1.250	12.502W	12.503W	-
140	4.000	830	14.402W	-	14.403W
140	5.000	1.250	14.502W	-	14.503W
150	4.000	830	15.402W	-	15.403W
150	5.000	1.250	15.502W	-	15.503W
160	4.000	830	16.402W	-	16.403W
160	5.000	1.250	16.502W	-	16.503W
180	4.000	830	18.402W	-	18.403W
180	5.000	1.250	18.502W	-	18.503W
200	4.000	830	20.402W	-	-
200	5.000	1.250	20.502W	-	-

State of the art: 15402W-51-00 Technical changes reserved! If you have any further questions please do not hesitate to contact our ESTA experts.