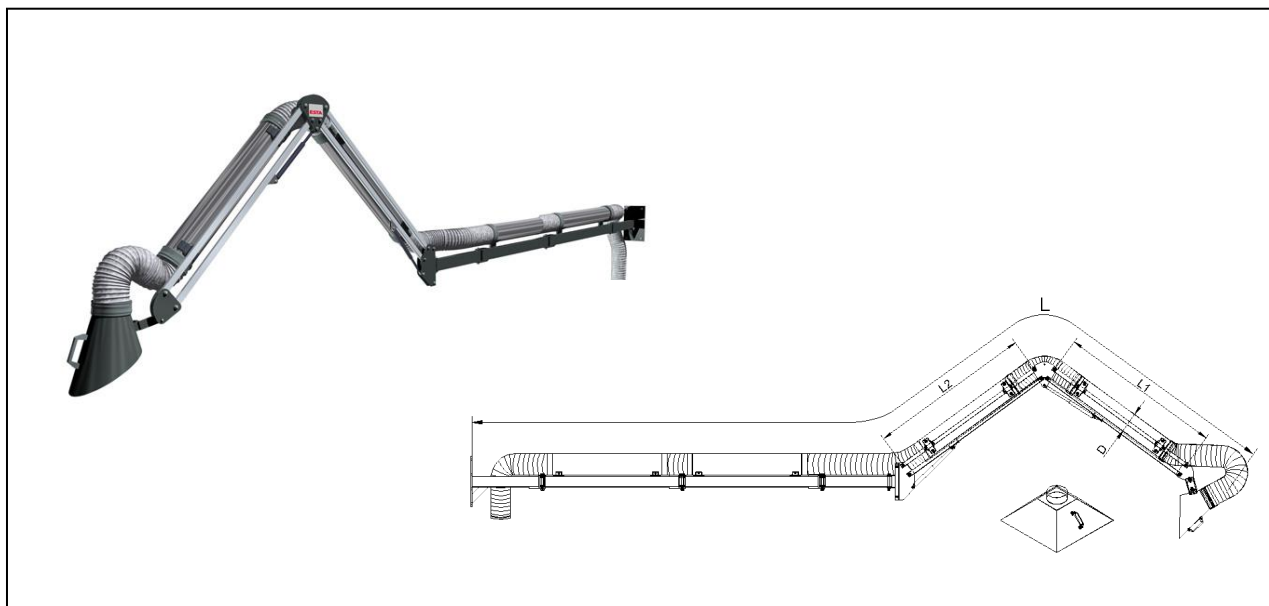


## Extraction arm with extension 3 m



D (mm)	L (mm)	L1/L2 (mm)	Order-no. with hood type		
			oval	square 500x500	square 600x600
100	6.000	1.250	10.602W	10.603W	-
125	6.000	1.250	12.602W	12.603W	-
140	6.000	1.250	14.602W	-	14.603W
150	6.000	1.250	15.602W	-	15.603W
160	6.000	1.250	16.602W	-	16.603W
180	6.000	1.250	18.602W	-	18.603W
200	6.000	1.250	20.602W	-	-

State of the art: 15602W-51-00 Technical changes reserved! If you have any further questions please do not hesitate to contact our ESTA experts.