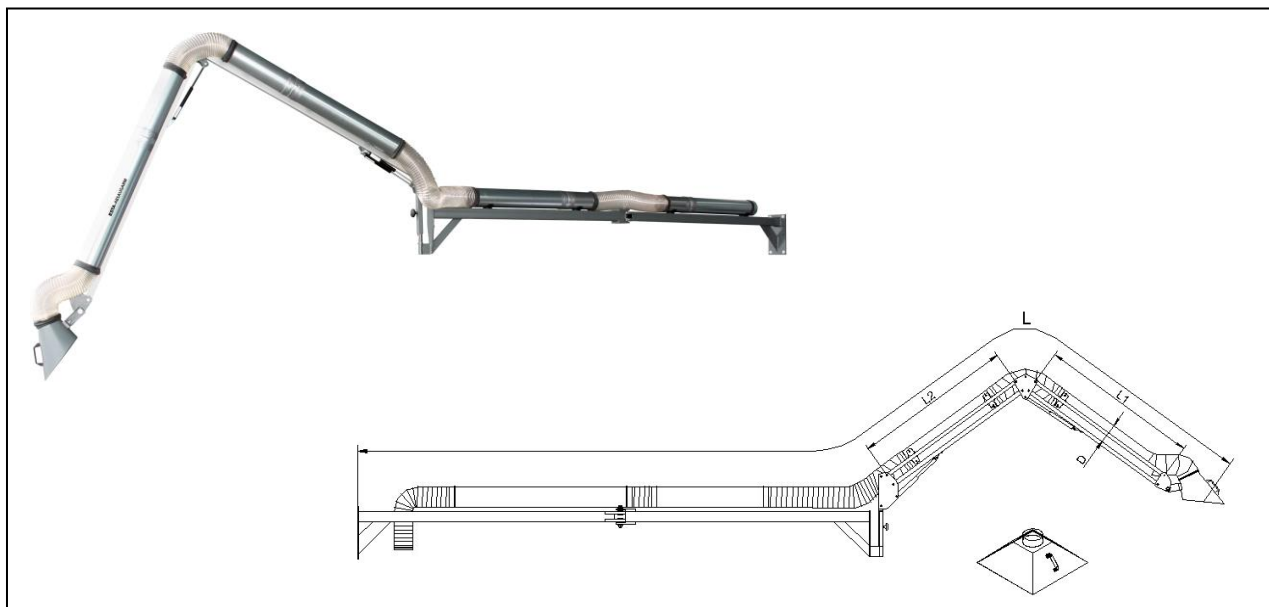


Extraction arm with extension 4 m



D (mm)	L (mm)	L1/L2 (mm)	Order-no. with hood type		
			oval	square 500x500	square 600x600
100	8.000	1.750	10.8024W	10.8034W	-
125	8.000	1.750	12.8024W	12.8034W	-
140	8.000	1.750	14.8024W	-	14.8034W
150	8.000	1.750	15.8024W	-	15.8034W
160	8.000	1.750	16.8024W	-	16.8034W

State of the art: 158024W-51-00 Technical changes reserved! If you have any further questions please do not hesitate to contact our ESTA experts.