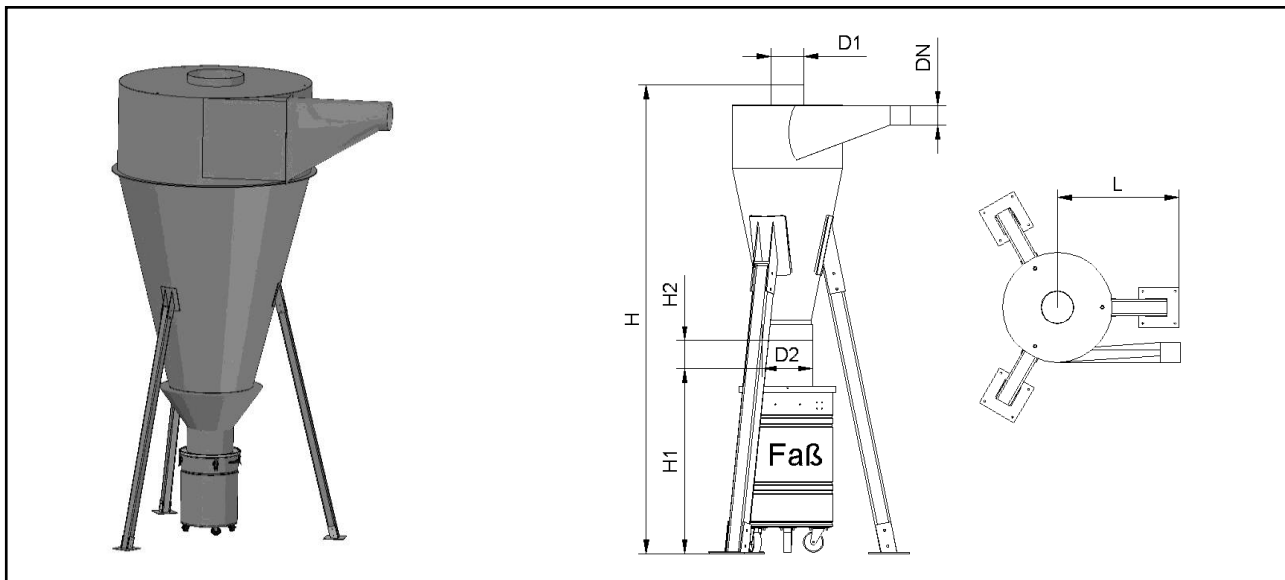


Cyclone Pre-Separator

Bin	DN	Artno.	H	H1	H2	D1	L	D2
50l	50	20820050	1458	530	200	82	645	121
		20821050	1737	912	100		768	
	100	20821100	2280		140	604	250	
100l	125	20821125	2596		912	140	199	610
	140	20821140	2578	203			638	302
	160	20821160	2924	100			253	889
	200	20821200	3166		1106	288	916	450
	225	20822225	4128	354		959		
	250	20822250	4399	393		982		
	200l	280	20822280	4823	1106	150	440	1002
300		20822300	5086	471			1075	
315		20822315	5278	494			1086	
355		20822355	5735	100		556	1226	
450		20822450	6449			643	1268	



ESTA PLUS

Application range:

- Primary or pre-separator unit
- Dry, pourable types of dust

Charateristics:

- Dust collection bin available in different sizes
- Different discharge methods (sluices, rotary valve)
- As steel, stainless steel or aluminum version available

Your benefits at a glance:

- Optimal solution for extracting medium sized and coarse dust
- One-time extraction guarantee declaration
- Can be combined ideally with other ESTA dust extractors

State of the art: 20821160-51-01 Subject to change without notice! For remaining questions please do not hesitate to contact us.

ESTA Apparatebau GmbH & Co. KG
 Gotenstraße 2 – 6
 89250 Senden

Telefon 07307 804-0
 Telefax 07307 804-500
 E-Mail info@esta.com

www.esta.com