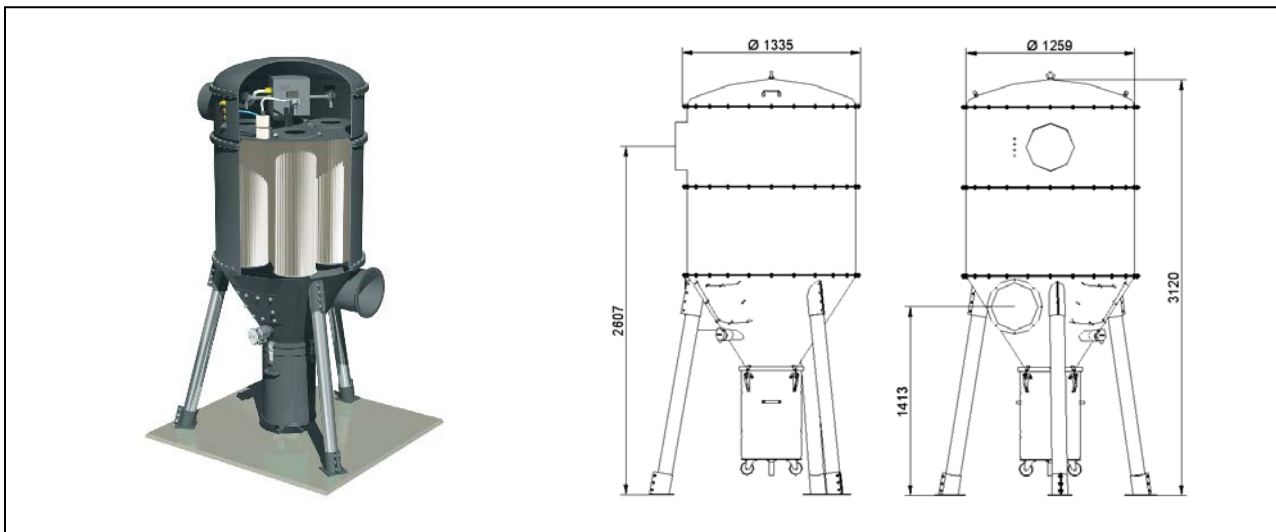


FZ-3003

(300.032)

Cyclone diameter	(mm)	1.259
Diameter filter cartridge	(mm)	325
Length filter cartridge	(mm)	600
Compressed air connection	(bar)	4-6
for filter cleaning		
Dimensions (ø/H)	(mm)	1.335 x 3.120
Max. airflow	(m ³ /h)	3.000
Dust collection container	(Liter)	100
Filter material by BIA		Polyester antistatic

Filtration efficiency		99,8 %
Outtake ø	(mm)	outside 355
Intake ø	(mm)	outside 355
Weight	(kg)	ca. 365
No. of filter elements	(piece)	3
Filter surface	(m ²)	30
Thread diameter	(mm)	9
for compressed air		
Comp. air requirement	(l/min)	by 6 bar 96



ESTA PLUS

Application range:

Extraction from multiple workstations in industrial manufacturing and processing

Your benefits at a glance:

The dual filter system is suitable for coarse and fine dust
 Quiet operation through sound insulation and remote positioning
 Industrial duty and maintenance free design
 Low operating costs through cleanable filters and high energy efficiency
 Suitable for applications requiring high negative pressure

Characteristics:

Compact design
 Can accommodate large quantities of dust
 Resistant to extreme negative pressure

State of the art: 300032-51-00 Subject to change without notice! For remaining questions please do not hesitate to contact us.