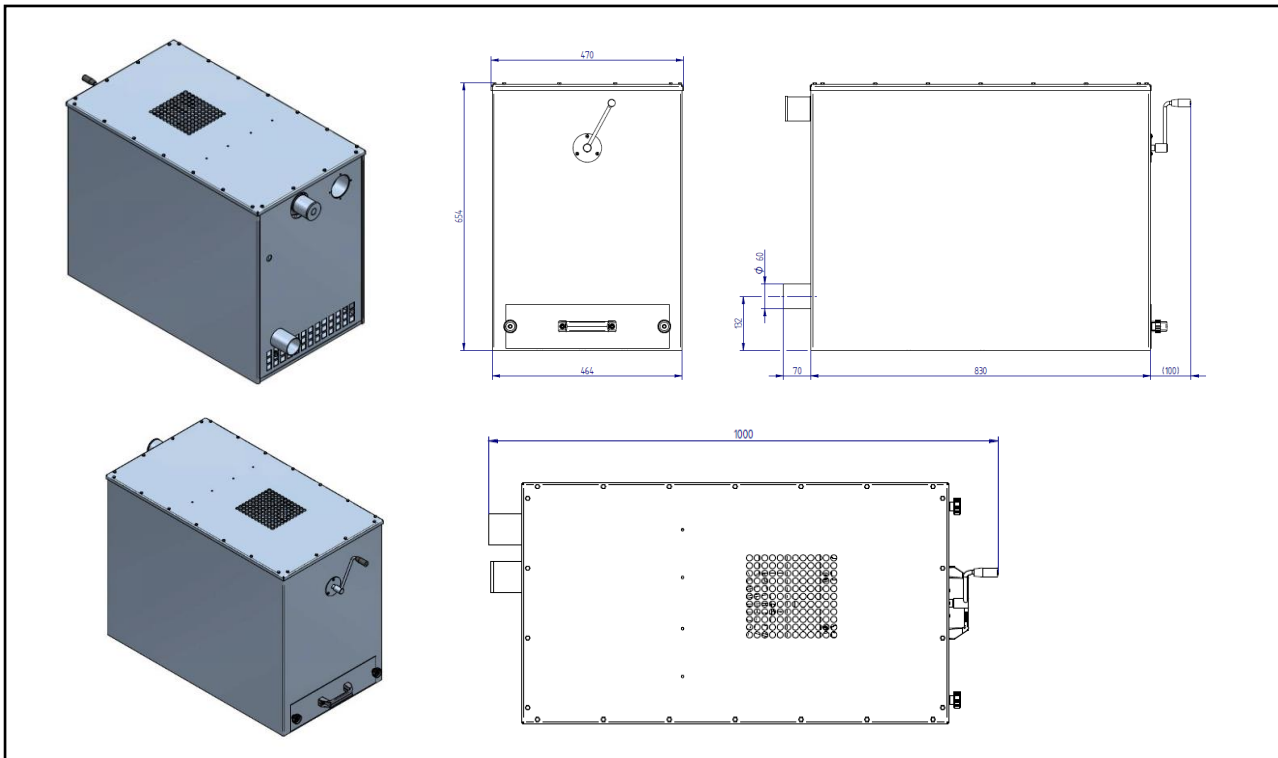


TK-2.2

(41.033)

Connection voltage	(V)	400	Speed	(1/min)	2.800
Drive power	(kW)	2,2	Weight	(kg)	105
Connection diameter	(mm)	60	Max. neg. pressure	(Pa)	21.000
max. airflow volume	(m ³ /h)	300	Dimensions (L x W x H)	(mm)	830 x 460 x 655
Nominal current	(A)	5,6			



ESTA PLUS

Application Range:

- Single-station extraction in industry and trade
- Mechanical workshops, metalworking industry

Characteristic:

- Cleanable pocket type fabric filter through crank mechanism

Your benefits at a glance:

- Minimal space requirement
- Easy to use
- Cleanable, long-life pocket type fabric filter
- Low operating costs

Modifications

- different filter materials
- exhaust air connection
- special voltage
- special painting

State of the art: 41033-51-03 Subject to change without notice! For remaining questions please do not hesitate to contact us.

ESTA Apparatebau GmbH & Co. KG
Gotenstraße 2 – 6
89250 Senden / GERMANY

Phone +49 7307 804-0
Fax +49 7307 804-500
E-Mail info@esta.com

www.esta.com