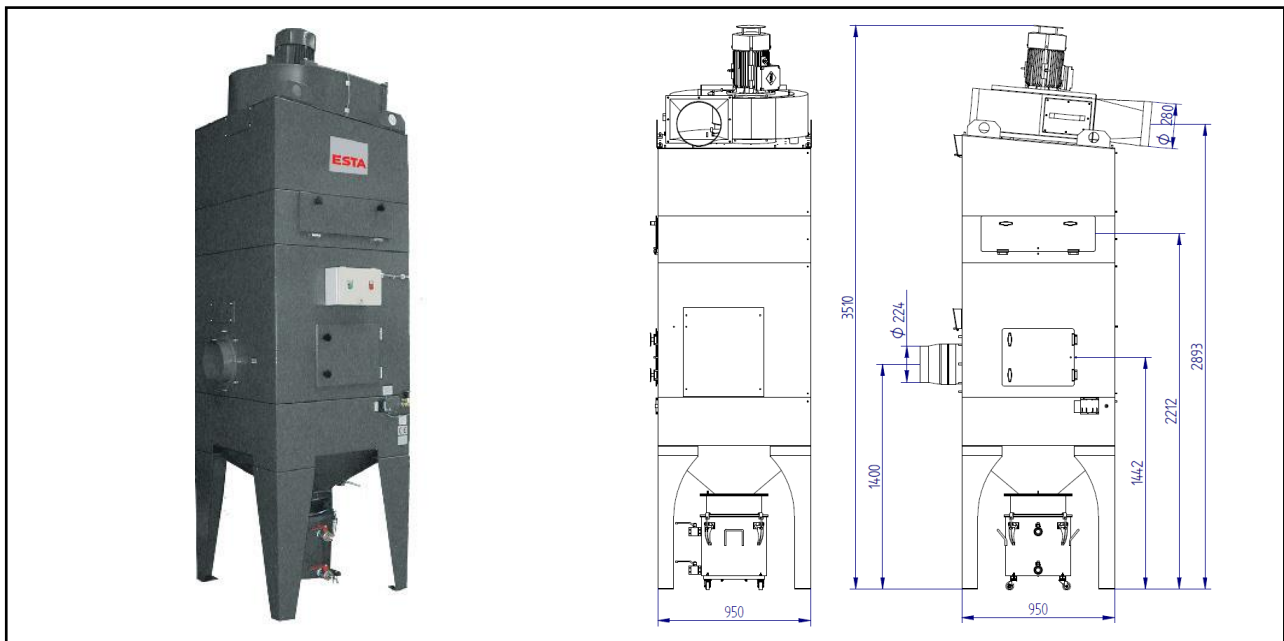


## NA-K 3600 B

(45.362)

Voltage	(V)	400	Water capacity	390
Motor	(kW)	5,5	Water connection	G ¾"
Current (400V/50Hz)	(A)	10,9	Intake diameter	(mm) 224/280
Fuse	(A)	32	Weight (without water)	(Kg) 510
max. neg. pressure	(Pa)	3.500	Sludge tank	(Liter) 50
max. airflow	(m <sup>3</sup> /h)	3.125	Dimensions (L x B x H)	(mm) 950 x 950 x 3.510



## ESTA PLUS

### Application range:

- Extraction of aluminium dust
- Dust extraction at individual or multiple workstations of adhesive and moistly dusts, especially metallic dusts that are sparks generating
- As central exhaust station with intercepting pipe and several extraction points

### Your benefits at a glance

- High suction power for adhesive and moistly dusts
- Ideal solution for sparks generating applications

### Characteristics:

- Partially made of stainless steel
- epoxy resin based interior coating
- Integrated control cabinet

### Custom design/optional:

- with special painting

State of the art: 45362-51-00 Subject to change without notice! For remaining questions please do not hesitate to contact us..