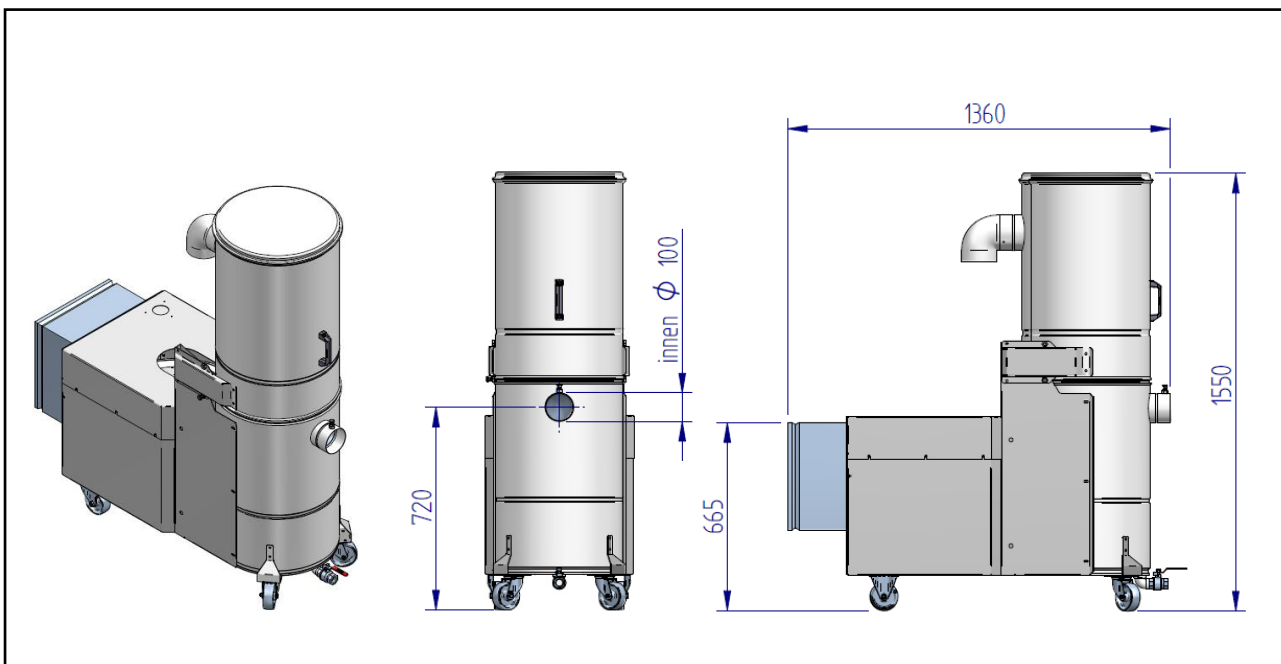


Wet vacuum unit NA-1.1 ATEX

(45.711)

Voltage	(V)	400	Water intake	G ½"
Motor	(kW)	1,1	Water outtake	G ¾"
Current (400V/50Hz)	(A)	2,4	Dimensions (Lx W x H)	(mm) 1.360 x 530 x 1.550
Frequency	(Hz)	50	Weight (without Water)	(kg) 120
Fuse	(A)	16	Water capacity	(l) 35
max. neg. pressure	(Pa)	2.800	Intake	(mm) 100
max. airflow	(m³/h)	720		



ESTA PLUS

Application range:

- Extraction of sticky substances
- Spark generating production processes
- Extraction of flammable, explosive and try substances
- defined as "Zone 22" types of dust (ATEX-approved version)

Special Features:

- Tilt back upper housing
- Magnetic valve for automatic water supply (optional)
- Stainless steel (optional)

Your benefits at a glance:

- Extraction of aluminium dust
- High suction power for sticky and wet dust
- For spark generating production

State of the art: 45711-51-03 Subject to change without notice! For remaining questions please do not hesitate to contact us.

ESTA Apparatebau GmbH & Co. KG
Gotenstraße 2 – 6
89250 Senden

Telefon 07307 804-0
Telefax 07307 804-500
E-Mail info@esta.com

www.esta.com