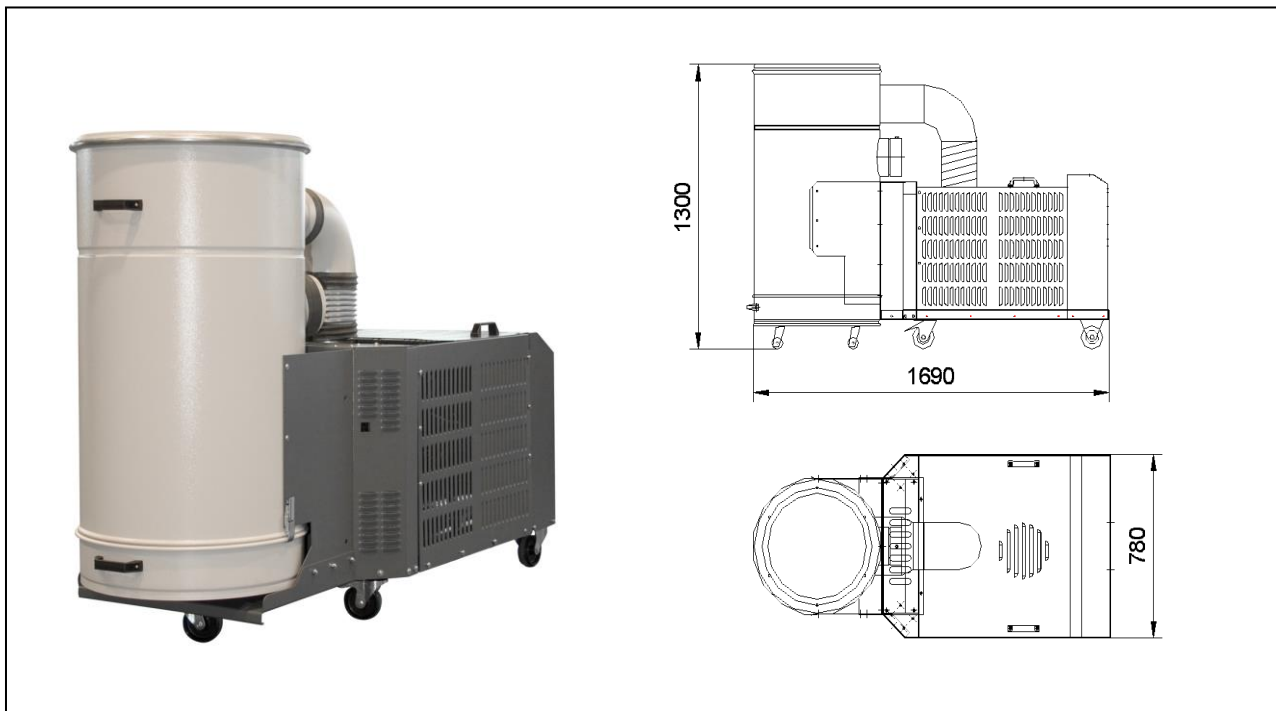


# SRF SK-13.0 FA

(55.151)

Voltage	(V)	400	max. neg. pressure	(Pa)	22.000
Motor	(kW)	13,0	max. air flow	(m <sup>3</sup> /h)	1.100
Filter surface	(m <sup>2</sup> )	15	Weight	(kg)	230
Rated frequency	(Hz)	50	Intake diameter	(mm)	125
Mode of operation		S1	Dimensions (L x B x H)	(mm)	1.690 x 780 x 1.300
Filter cleaning	pneumatic (autom.)		Dust collection bin	(liter)	30

\*at 4 bar with valve opening 0,12 sec



## ESTA PLUS

**Application Range:**

- Intermittent and continuous duty operation
- Direct extraction at the welding torch
- Welding extraction of non-alloy steels

**Your benefits at a glance:**

- High suction power for direct extraction at the welding torch
- Designed with side channel blower for continuous duty operation
- Low operating costs through the use of cleanable
- long life cartridge filters (dust classification „M“)
- Convenient disposal of the dust

**Characteristic:**

- Filter cleaning with pneumatic filter cleaning ( automatic)

**Modifications:**

- Special voltage
- Special equipment with pulse jet filter cleaning
- Special painting
- Exhaust air connection
- Different filter material

State of the art: 55151-51-00 Subject to change without notice! For remaining questions, please do not hesitate to contact us.