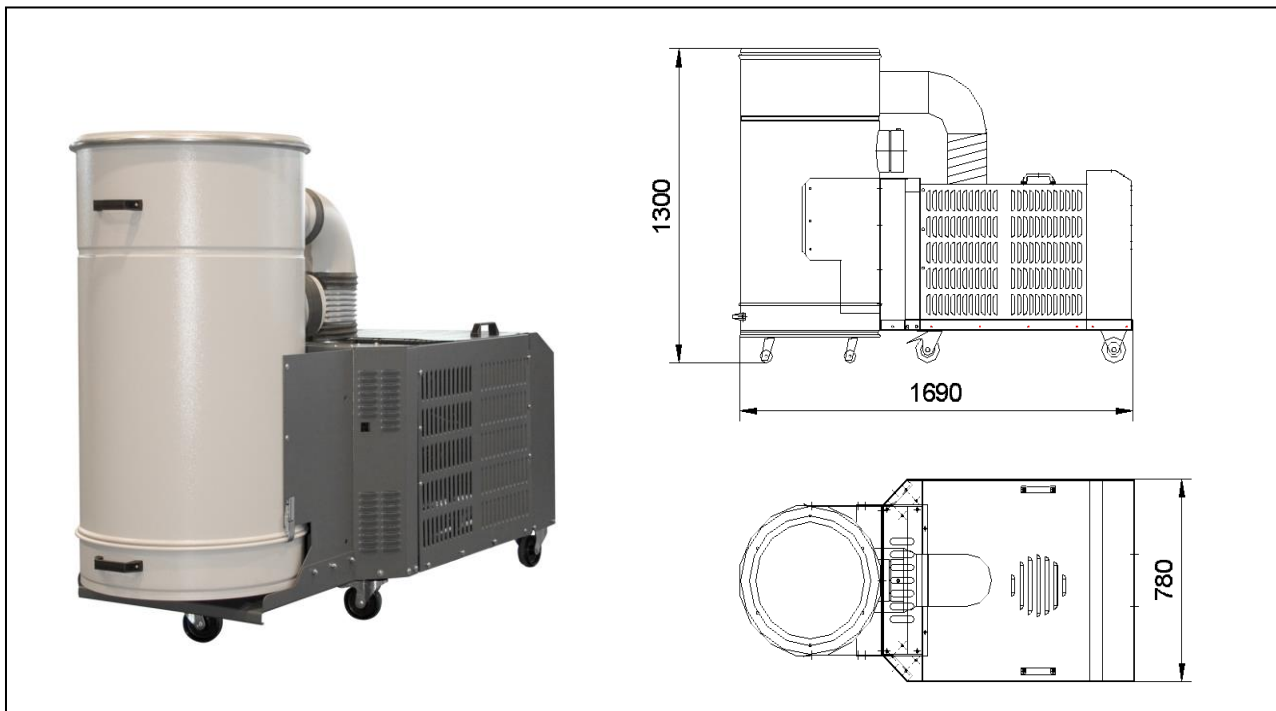


SRF SK-5.5 FM

(55.161)

| | | | | | |
|-------------------|-------------------|--------|------------------------|---------------------|---------------------|
| Voltage | (V) | 400 | max. neg. pressure | (Pa) | 24.500 |
| Motor | (kW) | 5,5 | max. air flow | (m ³ /h) | 480 |
| Filter surface | (m ²) | 15 | Weight | (kg) | 230 |
| Rated frequency | (Hz) | 50 | Intake diameter | (mm) | 70 |
| Mode of operation | | S1 | Dimensions (L x B x H) | (mm) | 1.690 x 780 x 1.300 |
| Filter cleaning | | manual | Dust collection bin | (liter) | 30 |

*at 4 bar with valve opening 0,12 sec



ESTA PLUS

Application Range:

- Intermittent and continuous duty operation
- Direct extraction at the welding torch
- Welding extraction of non-alloy steels

Your benefits at a glance:

- High suction power for direct extraction at the welding torch
- Designed with side channel blower for continuous duty operation
- Low operating costs through the use of cleanable
- long life cartridge filters (dust classification „M“)
- Convenient disposal of the dust

Characteristic:

- Filter cleaning with compressed air gun (manually)

Modifications:

- Special voltage
- Special equipment with pulse jet filter cleaning
- Special painting
- Exhaust air connection
- Different filter material

State of the art: 55161-51-00 Subject to change without notice! For remaining questions, please do not hesitate to contact us.