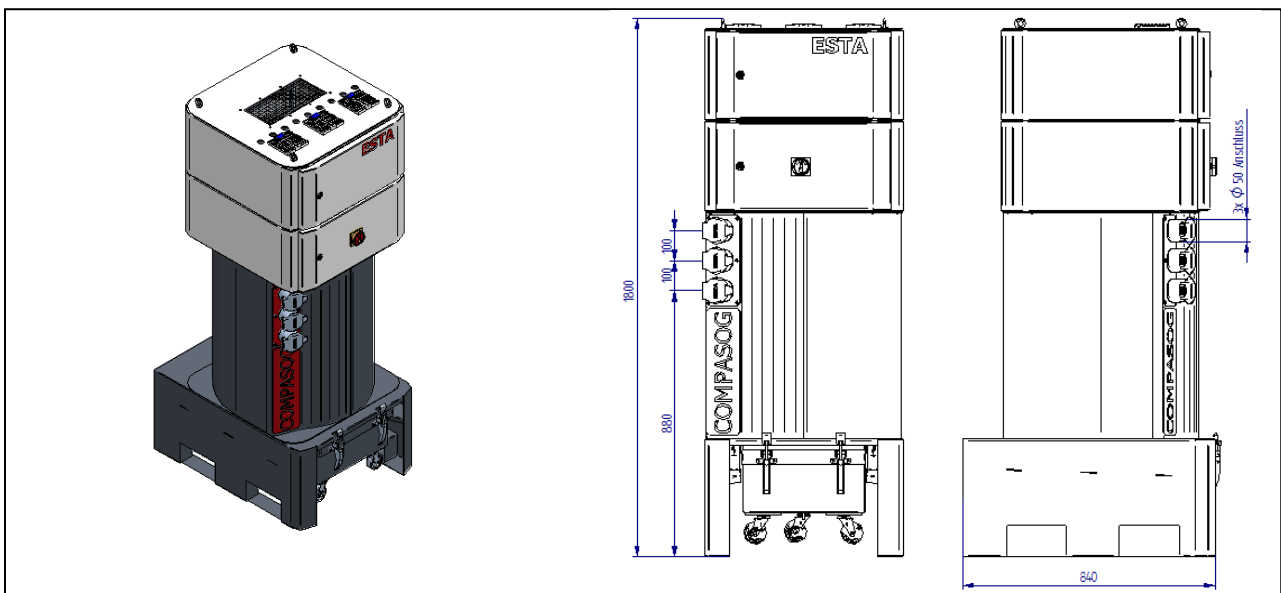


# COMPASOG-SR

(55.400)

Voltage	(V)	400	Filter surface	(m <sup>2</sup> )	8,6
Motor	(kW)	3 x 1,8	Quantity of filter	(pc)	1
Current	(A)	13	Filter material	dust classification „M“	
Rated frequency	(Hz)	50	Filter cleaning	Pulse-Jet	
Fuse	(A)	32	Weight	(kg)	approx. 210
Max. neg. pressure	(Pa)	22.000	Intake	(mm)	3 x ø 50
Max. airflow	(m <sup>3</sup> /h)	980	Dust collection bin	(liter)	approx. 40
Sound emission	(dBA)	73	Dimensions (L x W x H)	(mm)	840 x 670 x 1.800
			Comp. air requirement	(l/impuls)	22
			Comp. air connection	(bar)	4-6



## ESTA PLUS

### Application range:

Welding fume-direct extraction at torches or hoods.

### Your benefits at a glance:

Compact and powerful  
Low operating costs  
Convenient dust disposal  
Can be used as a central extraction system  
Suitable for nearly all types of dust

### Characteristics:

Pulse-jet filter cleaning system  
Integrated cyclonic separator  
Cleanable long life cartridge filters (dust classification M)  
  
Brushless suction turbines (for continuous operation)  
  
Optional with backup filter cassette (Dust class H)  
Optional ATEX-version

**State of the art: 55400-51-01** Subject to change without notice! For remaining questions please do not hesitate to contact us.