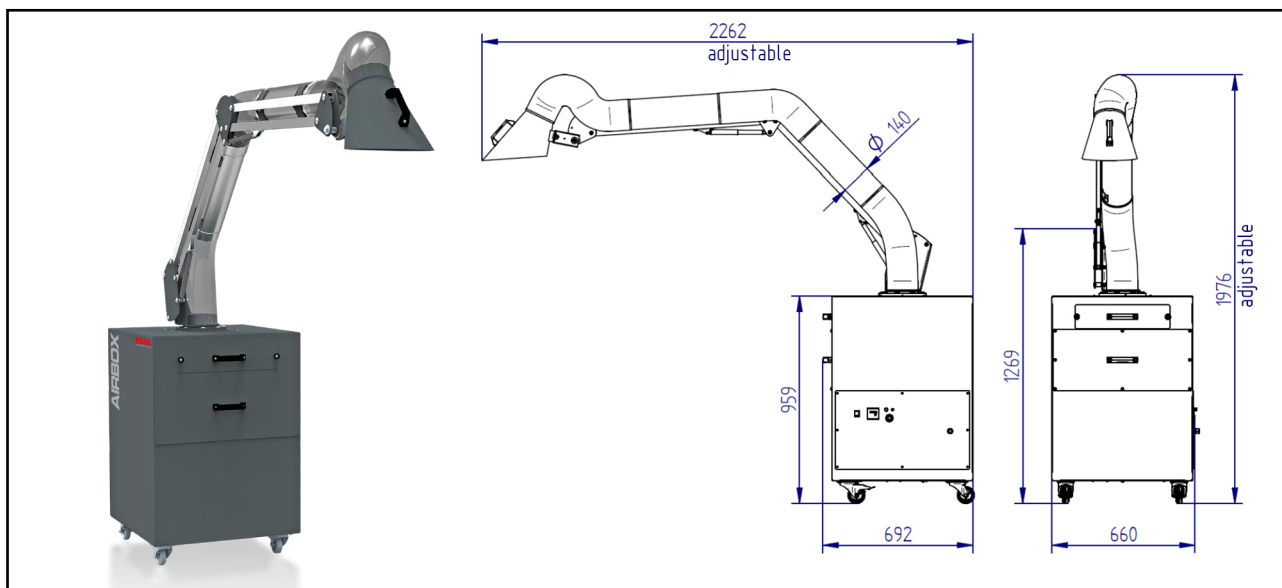


AirBox W3

(55503)

Connection voltage (V)	230	Filter area (m ²)	13.57
Nominal frequency (Hz)	50 / 60	Number of filter elements (units)	3
Drive power (kW)	0.51	Max. airflow volume (m ³ /h)	950
Nominal current (A)	2.2	Connection diameter (mm)	140
Circuit breaker (A)	C16	Weight (kg)	approx. 100
Protection class	IP 54	Dimensions (L x W x H) (mm)	
Sound pressure level dB(A)	68.5	Without extraction arm	692 x 660 x 959
		With extraction arm	2262 x 660 x 1976



ESTA PLUS

Area of application:

- Single-station extraction with precise collection in industry and trade
- Suitable for welding fumes, free-flowing and dry dusts

The benefits to you at a glance

- Precision smoke and dust collection
- Suitable for continuous operation
- Compact and handy design
- For use at various, changing workstations
- Simple and dust-free disposal of collected material by means of drawer
- Dust class M filter cassette
- Quite and energy-saving operation through EC technology

Special feature:

- IFA test mark W3 for high-alloy steels (registered for testing)
- Rotating and flexible extraction arm mounted on the device
- Compact, flow-optimised suction hood
- Operating hours counter

State of the art: 55503-51-01 Subject to technical changes! In case of questions, ESTA experts are willing to help.

ESTA Apparatebau GmbH & Co. KG
Gotenstraße 2 – 6
89250 Senden / GERMANY

Phone +49 7307 804-0
Fax +49 7307 804-500
E-Mail info@esta.com

www.esta.com