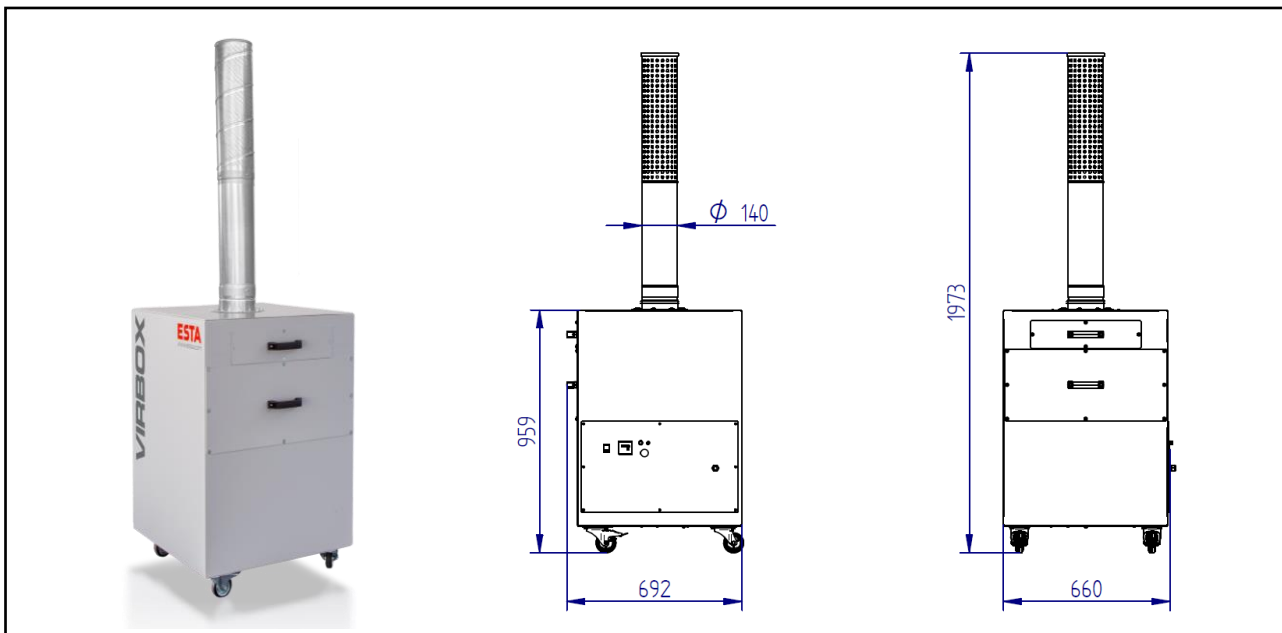


## VirBox

(55505)

Connection voltage	(V)	230	Filter area	(m <sup>2</sup> )	14.6
Nominal frequency	(Hz)	50 / 60	Number of filter elements	(units)	1 (HEPA 14)
Drive power	(kW)	0.51	Control range	(m <sup>3</sup> /h)	200 – 1.300
Fan power max.	(m <sup>3</sup> /h)	1.800	Volume within the control range	dB(A)	30 – 53,0*
Nominal current	(A)	2.2	Connection diameter	(mm)	140
Circuit breaker	(A)	C16	Weight	(kg)	approx. 100
Protection class		IP 54	Dimensions (L x W x H)	(mm)	
Sound pressure level	dB(A)	53,0* (70.5)	without collection element		692 x 660 x 959
			with collection element		692 x 660 x 1,973

\*with an optional soundproofing package



## ESTA PLUS

### Area of application:

- Room air extraction in industry, craft and trade
- Continuous filtration of particle-laden air as well as virus-laden aerosols in the room air

### The benefits to you at a glance

- Efficient collection of ambient air
- Class H14 filter cassette, also suitable for the filtering of viruses and bacteria (separation of 99.995%)
- Suitable for mobile use and continuous operation
- Compact and handy design
- Easy filter change
- Quite and energy-saving operation through EC technology
- Stepless adjustment of the speed via potentiometer

### Special feature:

- Perforated tube on the top side of the equipment for simple and flow-optimised collection
- Operating hours counter

### Options:

- UV-C lamp
- Soundproofing package
- Multi-functional design for advertising media, whiteboards or blackboards

State of the art: 55505-51-04 Subject to technical changes! In case of questions, ESTA experts are willing to help.

ESTA Apparatebau GmbH & Co. KG  
Gotenstraße 2 – 6  
89250 Senden / GERMANY

Phone +49 7307 804-0  
Fax +49 7307 804-500  
E-Mail info@esta.com

[www.esta.com](http://www.esta.com)