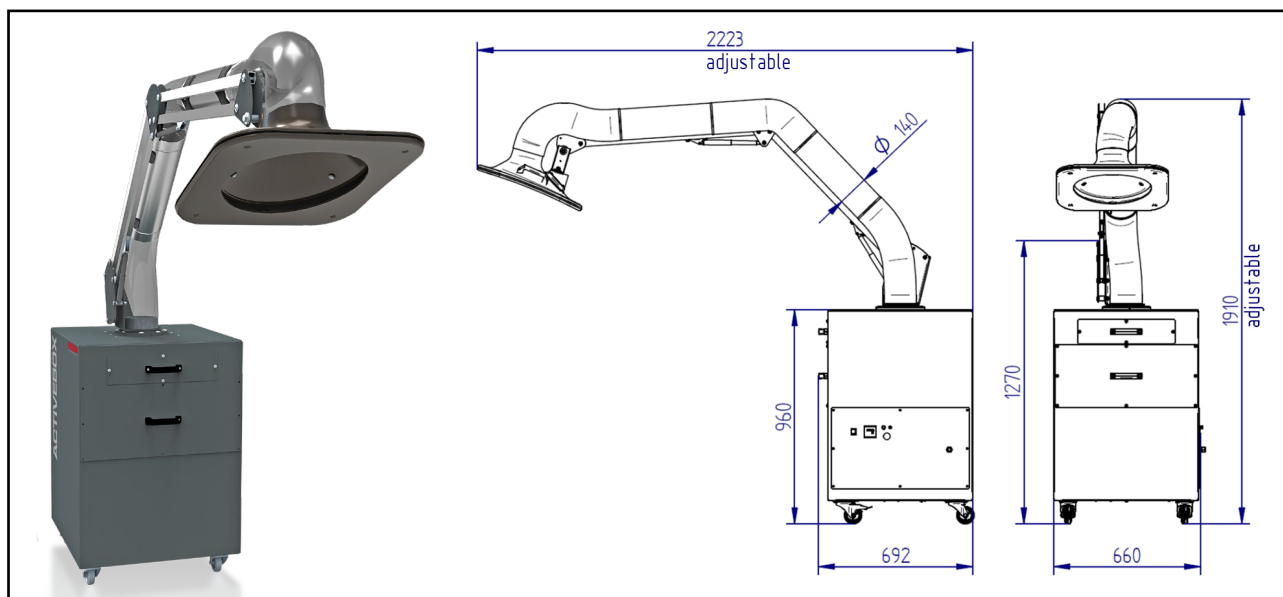


ActiveBox

(55506)

Connection voltage (V)	230	Filter area (pre-filter) (m ²)	1.2
Nominal frequency (Hz)	50 / 60	Number of filter elements (G4) (units)	1
Drive power (kW)	0.51	Activated carbon volume (l)	24
Nominal current (A)	2.2	Number of activated carbon cartridges (units)	6
Circuit breaker (A)	C16	Max. airflow volume (m ³ /h)	1,000
Protection class	IP 54	Weight (kg)	approx. 100
Sound pressure level dB(A)	68.0	Dimensions (L x W x H) (mm)	
Connection diameter (mm)	140	Without extraction arm	692 x 660 x 960
		With extraction arm	2223 x 660 x 1960



ESTA PLUS

Area of application:

- Single-station extraction with precise collection in industry and trade
- Suitable for gaseous environmental pollutants and for reducing noxious odours and/or odours caused by processes

Special feature:

- Rotating and flexible extraction arm mounted on the device
- Flow-optimised and patented suction hood
- Operating hours counter
- G4 pre-filter for longer activated carbon cartridge service life

The benefits to you at a glance

- Efficient collection of process air
- Suitable for mobile use and continuous operation
- Compact and handy design
- Activated carbon cartridges (type A) for good flow characteristics and for handling the activated carbon
- Quiet and energy-saving operation through EC technology

State of the art: 55506-51-01 Subject to technical changes! In case of questions, ESTA experts are willing to help.

ESTA Apparatebau GmbH & Co. KG
 Gotenstraße 2 – 6
 89250 Senden / GERMANY

Phone +49 7307 804-0
 Fax +49 7307 804-500
 E-Mail info@esta.com

www.esta.com