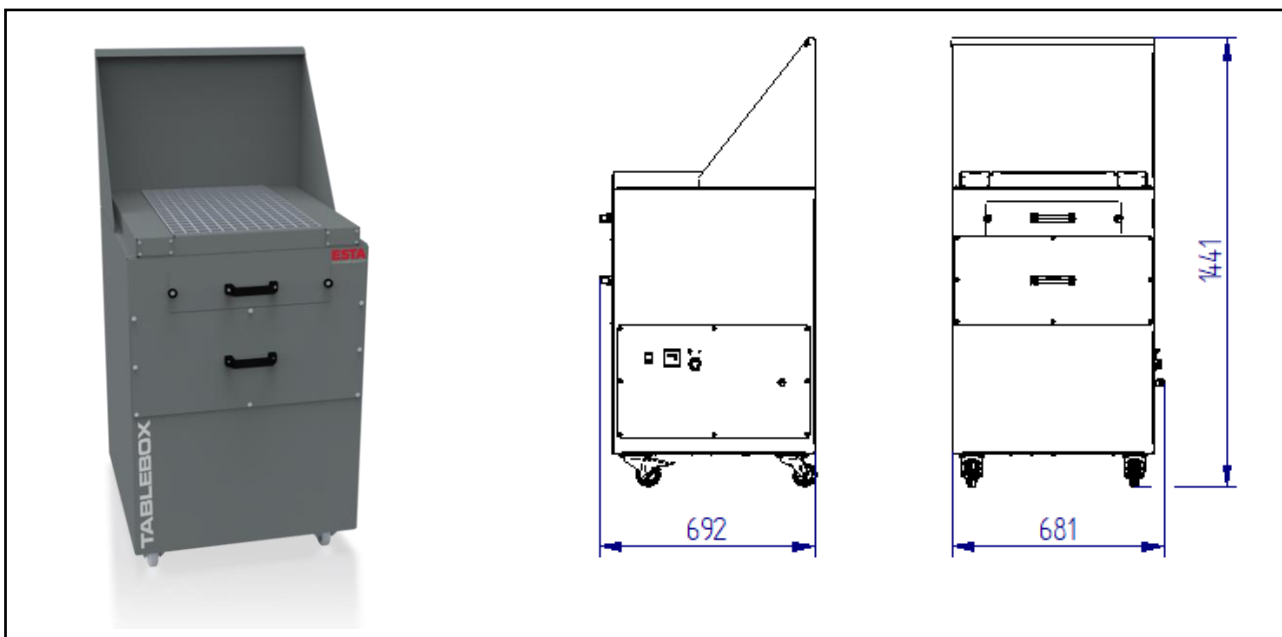


TableBox Air

(55507)

Connection voltage (V)	230	Filter area (m ²)	13.57
Nominal frequency (Hz)	50 / 60	Number of filter elements (units)	3
Drive power (kW)	0.51	Max. airflow volume (m ³ /h)	1300
Nominal current (A)	2.2	Work surface (mm)	600 x 400
Circuit breaker (A)	C16	Weight (kg)	approx. 120
Protection class	IP 54	Dimensions (L x W x H) (mm)	692 x 681 x 1,441
Sound pressure level dB(A)	69.9 / 60.5*		

*with exhaust silencer



ESTA PLUS

Area of application:

- Single-station extraction in industry and trade
- Suitable for welding fumes, free-flowing and dry dusts

Special feature:

- Continuously variable air flow rate
- Operating hours counter

The benefits to you at a glance

- Suitable for mobile use and continuous operation
- Compact and handy design
- Simple and dust-free disposal of collected material by means of drawer
- Dust class M filter cassette
- Quite and energy-saving operation through EC technology

State of the art: 55507-51-02 Subject to technical changes! In case of questions, ESTA experts are willing to help.

ESTA Apparatebau GmbH & Co. KG
 Gotenstraße 2 – 6
 89250 Senden / GERMANY

Phone +49 7307 804-0
 Fax +49 7307 804-500
 E-Mail info@esta.com

www.esta.com