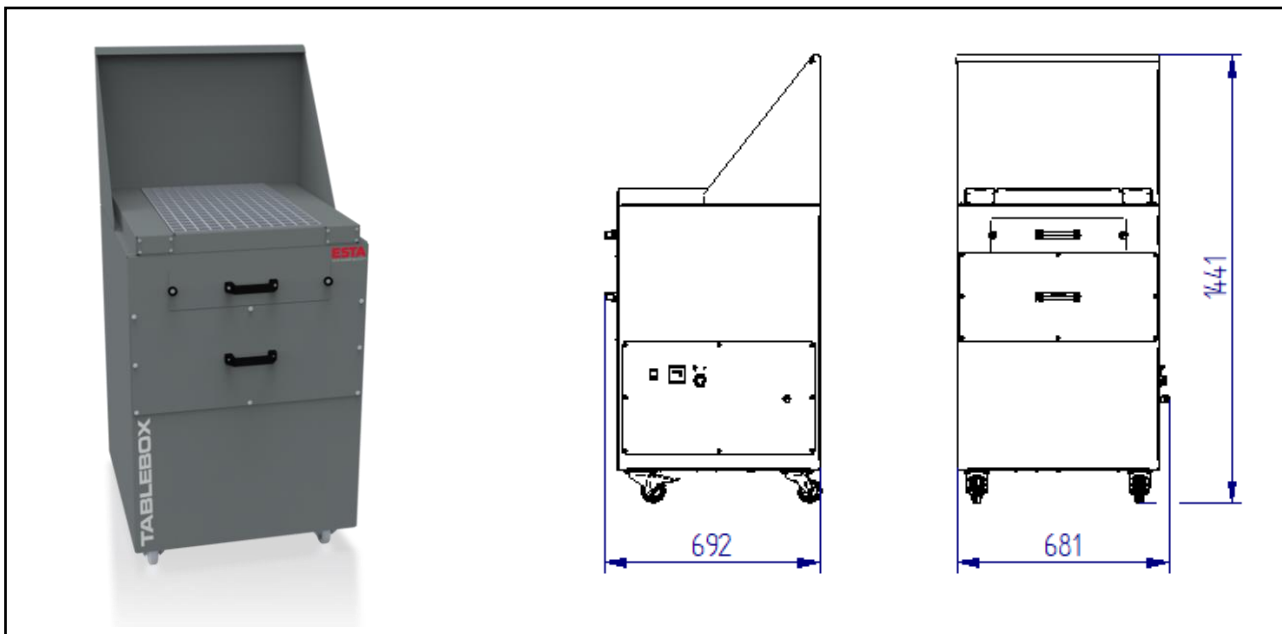


## TableBox Active

(55508)

Connection voltage	(V)	230	Filter area (pre-filter)	(m <sup>2</sup> )	1.2
Nominal frequency	(Hz)	50 / 60	Number of filter elements (G4)	(units)	1
Drive power	(kW)	0.51	Activated carbon volume	(l)	24
Nominal current	(A)	2.2	Number of activated carbon cartridges	(units)	6
Circuit breaker	(A)	C16	Max. airflow volume	(m <sup>3</sup> /h)	1300
Protection class		IP 54	Weight	(kg)	approx. 115
Sound pressure level	dB(A)	68.5 / 60.0*	Dimensions (L x W x H)	(mm)	692 x 681 x 1,441
Work surface	(mm)	600 x 400			

\*with exhaust silencer



## ESTA PLUS

### Area of application:

- Single-station extraction in industry and trade
- Suitable for gaseous environmental pollutants and for reducing noxious odours and/or odours caused by processes

### The benefits to you at a glance

- Efficient collection of process air
- Suitable for mobile use and continuous operation
- Compact and handy design
- Activated carbon cartridges (type A) for good flow characteristics and for handling the activated carbon
- Quite and energy-saving operation through EC technology

### Special feature:

- Continuously variable air flow rate
- G4 pre-filter for longer activated carbon cartridge service life
- Operating hours counter

State of the art: 55508-51-02 Subject to technical changes! In case of questions, ESTA experts are willing to help.

ESTA Apparatebau GmbH & Co. KG  
 Gotenstraße 2 – 6  
 89250 Senden / GERMANY

Phone +49 7307 804-0  
 Fax +49 7307 804-500  
 E-Mail info@esta.com

[www.esta.com](http://www.esta.com)