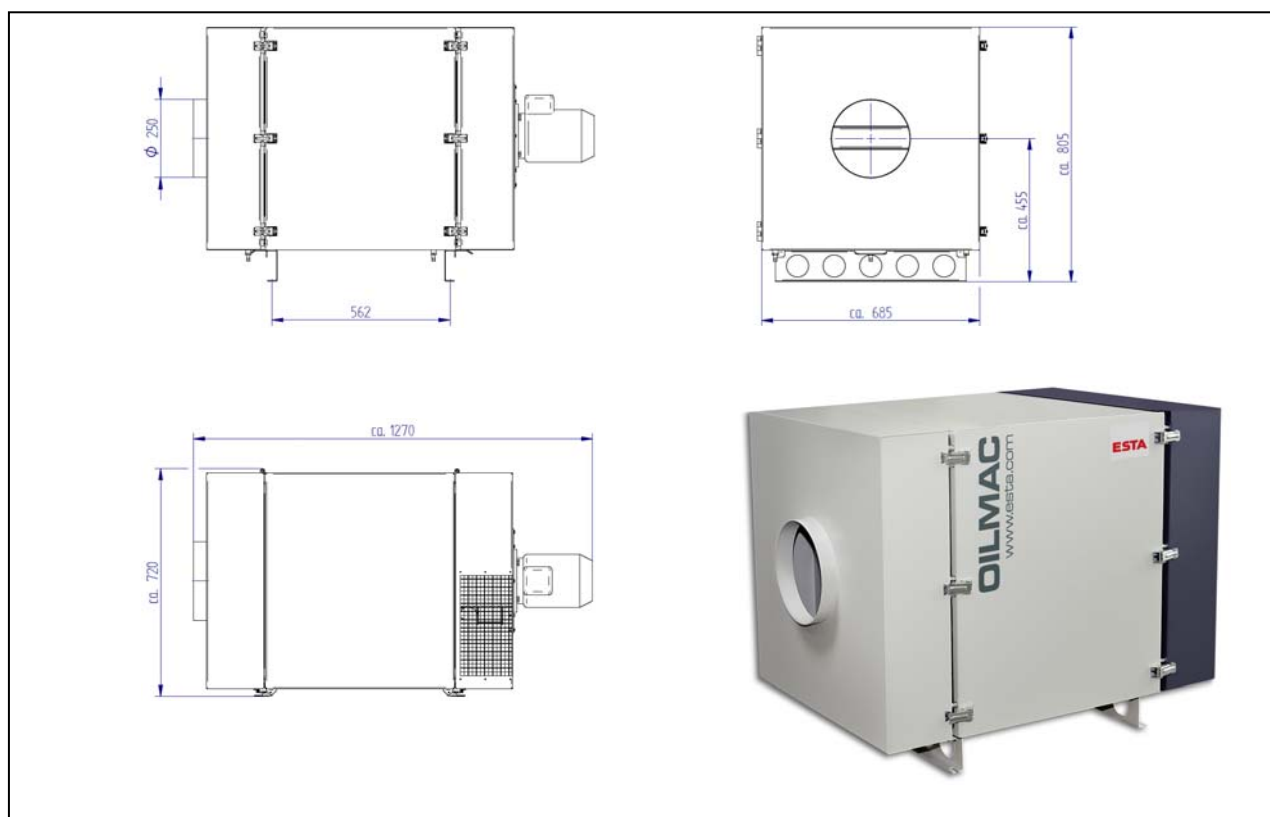


OILMAC 1600

(56.202)

Motor	(kW)	1,1	max. airflow	(m ³ /h)	1.800
Voltage	(V)	400	Sound level	(dBA)	71
Rated frequency	(Hz)	50	Weight	(kg)	ca. 130
Intake ø	(mm)	250	Dimensions (l x w x h)	(mm)	1.270x685x805



ESTA PLUS

Application range:

Extraction of oil and emulsion mist
Minimal lubrication mist and smoke

Your benefits at a glance:

Compact unit for the extraction of oil and emulsion mist
Easy installation on top of the processing machine
Three power ratings available
Multi-filter system

Characteristics:

Mechanical filtration
With postfilter H13 for recirculation mode

Modification:

With motor protection switch
With potential free contact
With special voltages
With special painting
Mobile on wheels
With stand for adjacent installation

State of the art: 56202-51-02 Subject to change without notice! For remaining questions please do not hesitate to contact us.