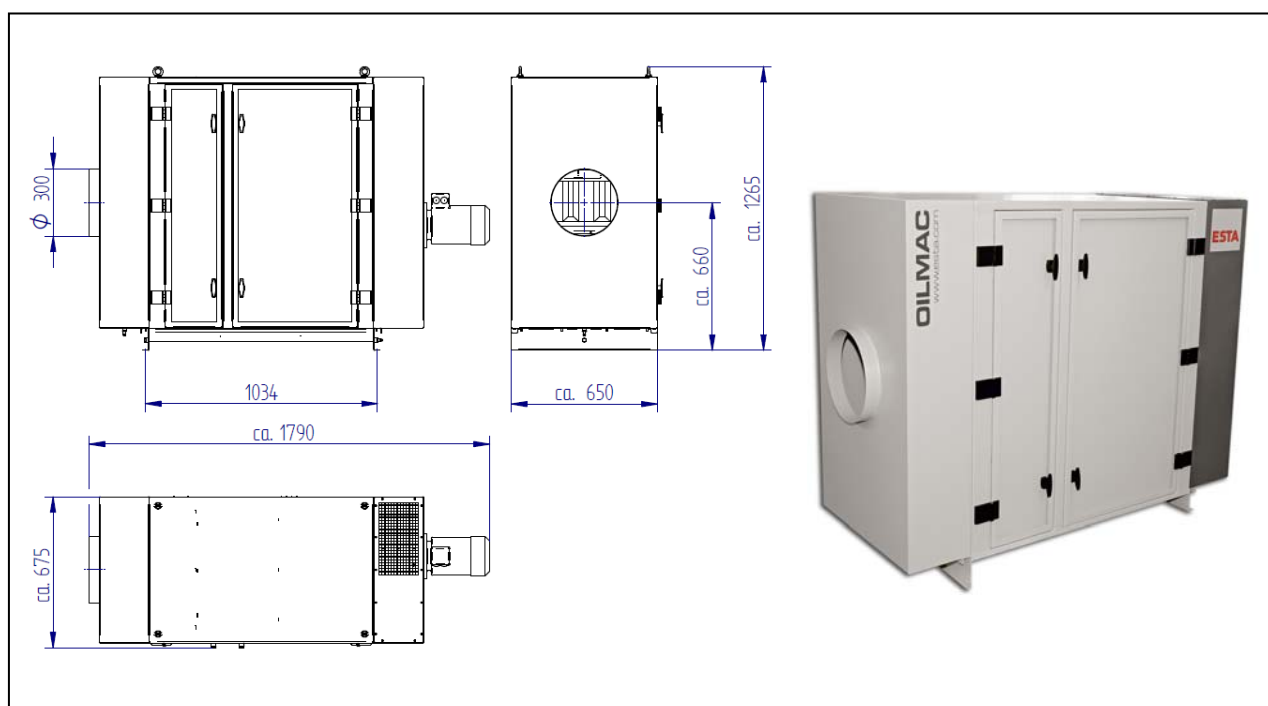


OILMAC 3000

(56.203)

Motor	(kW)	2,2	max. airflow	(m ³ /h)	3.300
Voltage	(V)	400	Sound level	(dBA)	74
Rated frequency	(Hz)	50	Weight	(kg)	ca. 220
Intake ø	(mm)	300	Dimensions (l x w x h)	(mm)	1.790x650x1.265



ESTA PLUS

Application range:

Extraction of oil and emulsion mist
Minimal lubrication mist and smoke

Your benefits at a glance:

Compact unit for the extraction of oil and emulsion mist
Easy installation on top of the processing machine
Three power ratings available
Multi-filter system

Characteristics:

Mechanical filtration
With postfilter H13 for recirculation mode

Modification:

With motor protection switch
With potential free contact
With special voltages
With special painting

State of the art: 56203-51-01 Subject to change without notice! For remaining questions please do not hesitate to contact us.