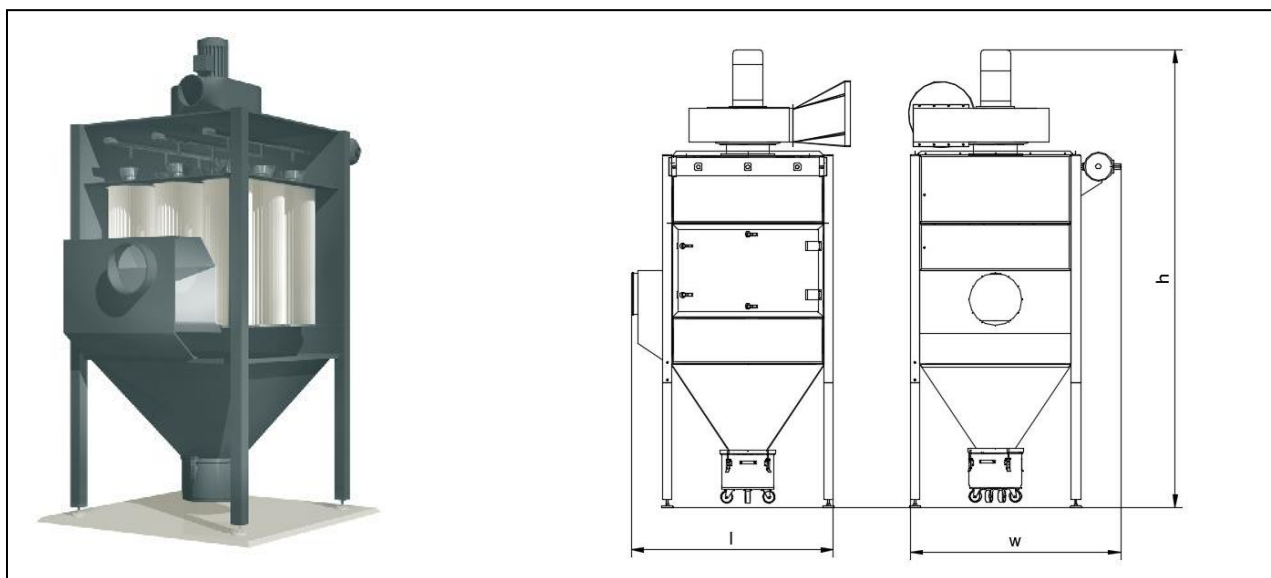


DUSTMAC P-60

(661.060)

Voltage	(V)	400	Filter surface	(m ²)	60
Motor	(kW)	5.5	No. of filter elements	(pc)	6
Ampere (400V/50Hz)	(A)	10.6	Filter material	dust classification "M"	
Rated Frequency	(Hz)	50	Weight	(kg)	700
Fuse	(A)	C 16	Intake	(mm)	280
Max. neg. pressure	(Pa)	3,400	Clean air discharge	(mm)	400
Max. airflow	(m ³ /h)	7,000	Dimensions (l x w x h)	(mm)	1.750 x 1.300 x 3.740
No. of magnet valves	(pc)	3	Dust collection bin	(litre)	100
Sound level*	(dB)	78	Compressed air	(l/min)	(at 6 bar) 159,6

*Measured according to the enveloping body method DIN EN ISO 3744 with an attached suction side piping and pressure side attached silencer. Measurement uncertainty noise approx. 4 dBA



ESTA PLUS

Application range:

Central systems with multiple extraction locations at dust-producing machines
For the extraction of dry, free flowing, non-explosive dust

Your benefits at a glance

Modular for future expansion
Customized design by ESTA personnel

Characteristics:

Pulse-jet filter cleaning system
Cleanable long life cartridge filters of dust classification M

Special equipment:

- with special painting
- continuously electrically conductive
- extended feet
- further special versions available on request

State of the art: 661060-51-05 Subject to change without notice! For remaining questions, please do not hesitate to contact us.