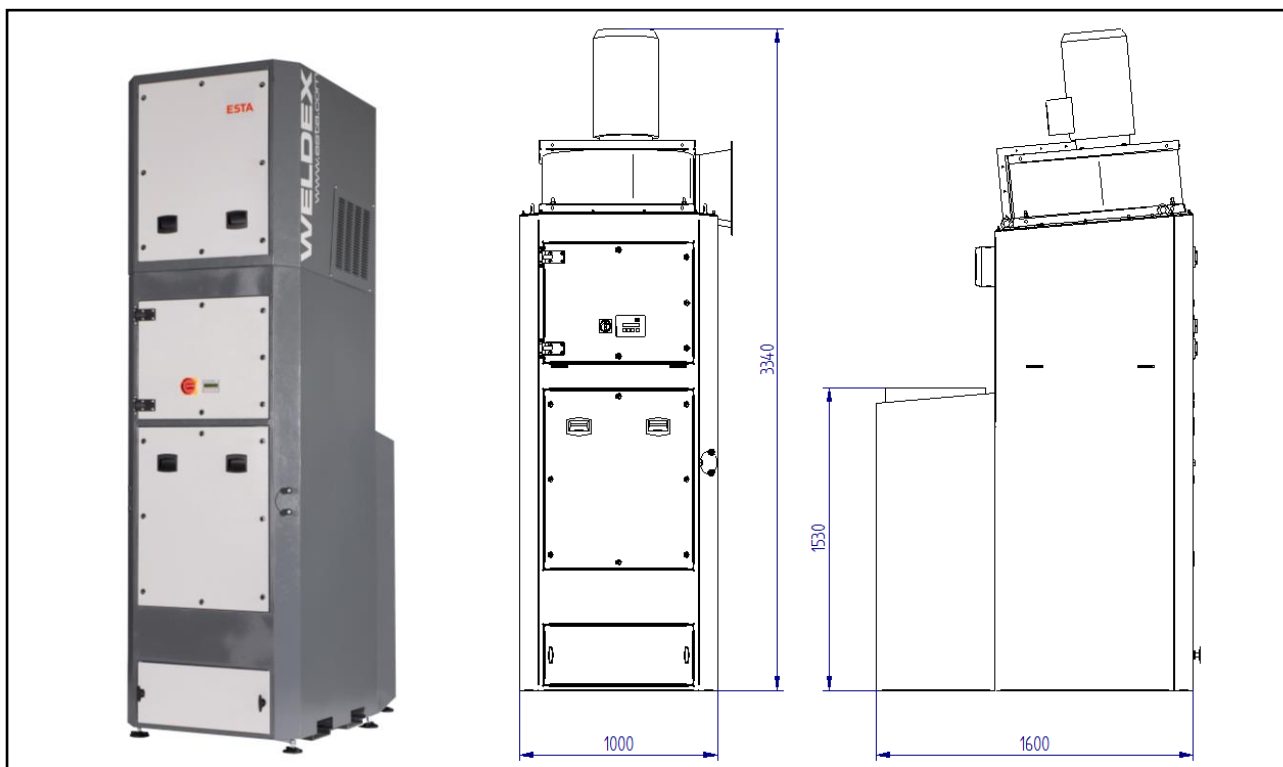


WELDEX F-150

(665.151)

Voltage	(V)	400	Filter surface	(m ²)	150
Motor	(kW)	15.0	No. of filter elements	(pc)	4
Ampere	(A)	26.9	Filter material	Polyester M antistatic	
Rated frequency	(Hz)	50	Weight	(kg)	ca. 755
Fuse	(A)	C32	Intake	(mm)	500
Max. neg. pressure	(Pa)	5,050	Clean air discharge	(mm)	710
Max. airflow	(m ³ /h)	15,000	Dimensions (l x w x h)	(mm)	1,000 x 1,600 x 3,340
No. of magnet valve	(pc)	4	Dust collection bin	(Liter)	ca. 60
Sound Level	(dBA)	80	Compressed air connection	(inch)	¼"



ESTA PLUS

Application range:

- Central systems with multiple extraction locations
- Large extraction hoods or cells, e.g. robotic welding stations
- All types of steel

Your benefits at a glance

- High performance welding fume extraction from multiple
- locations, from welding cells or from large extraction hoods
- Application specific design of the system
- Modular for future expansion
- Low operating costs with cleanable long life filter cartridges

Characteristics:

- Pulse-jet filter cleaning system
- Integrated impact separator
- Cleanable long life cartridge filters of dust classification M
- Newly designed control

State of the art: 665150-51-04 Subject to change without notice! For remaining questions, please do not hesitate to contact us.

ESTA Apparatebau GmbH & Co. KG
Gotenstraße 2 – 6
89250 Senden

Telefon 07307 804-0
Telefax 07307 804-500
E-Mail info@esta.com

www.esta.com