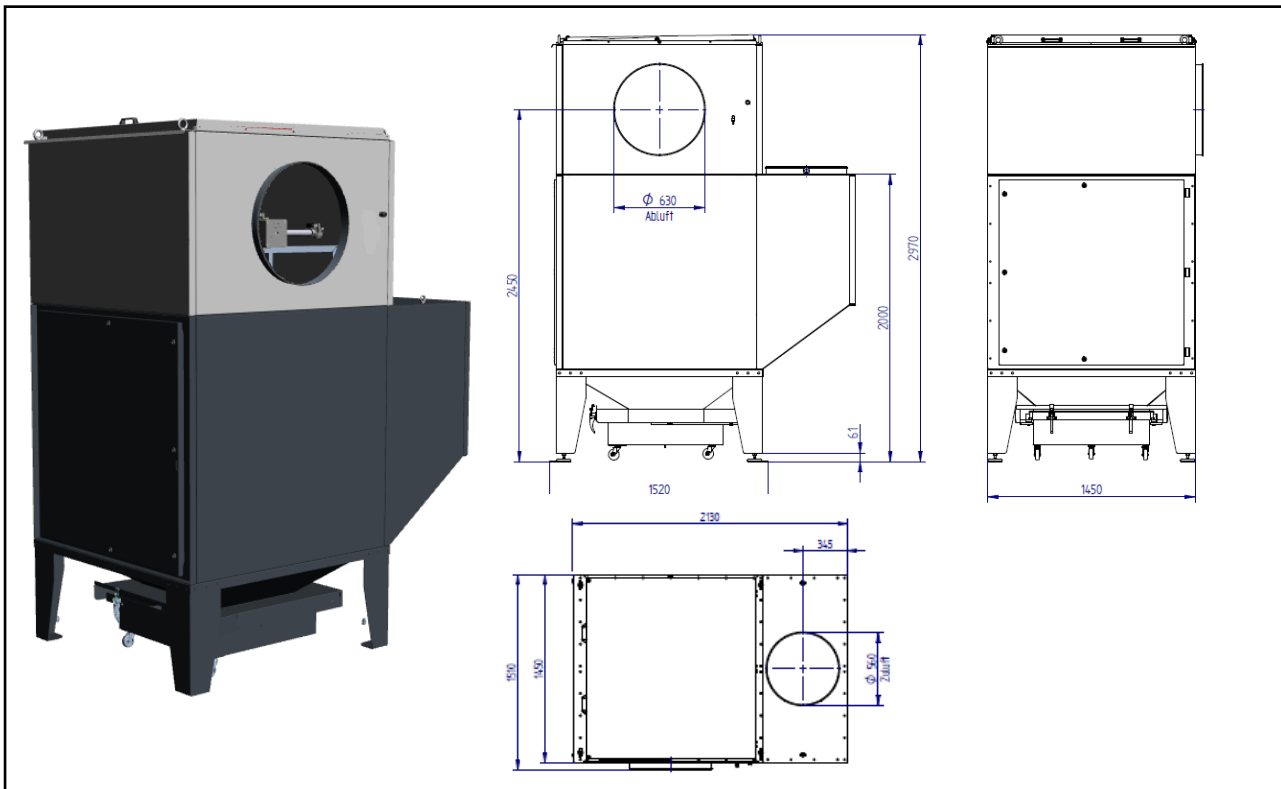


## WELDEX FE-225

(665.225)

No. of magnet valves	(pc)	9	Dimensions (L x B x H)	(mm)	2.130 x 1.510 x 2.970
Dust collection bin	(Liter)	2x 42	Intake	(mm)	560
Compressed air connection	(Ø)	¼"	Clean air discharge ø	(mm)	630
Max. neg. pressure	(Pa)	3.500	Filter surface	(m <sup>2</sup> )	225
Max. airflow	(m <sup>3</sup> /h)	20.000	No. of filter elements	(pc)	9
Weight	(kg)	ca.800	Filter material		Dust class M
Compressed air	(l/min)	ca.150			



## ESTA PLUS

### Application range:

- Flue gas separation during welding of metals
- Schweißrauch-Filter system of welding fume for hall ventilation

### Your benefits at a glance

- High performance welding fume extraction
  - Low operating costs with cleanable long life filter cartridges
  - Compact design and requires little space.
  - Simple dust-free cleanout of the dust collection drawer
  - Modular for future expansion to 120.000 m<sup>3</sup>/h
  - C3H- coating for outdoor installation.
- Filter change system easy to maintain

### Special Features

- Cleanable long life cartridge filters of dust classification M, antistatic
- Jet-Pulse filter cleaning system

### Custom optional:

- pre-separator raw gas entry
- fire protection system
- support-device
- Special equipment with different filter cartridges
- special painting
- pre-separator possible

State of the art: 665225-51-03 Subject to change without notice! For remaining questions please do not hesitate to contact us

ESTA Apparatebau GmbH & Co. KG  
Gotenstraße 2 – 6  
89250 Senden

Telefon 07307 804-0  
Telefax 07307 804-500  
E-Mail info@esta.com

[www.esta.com](http://www.esta.com)