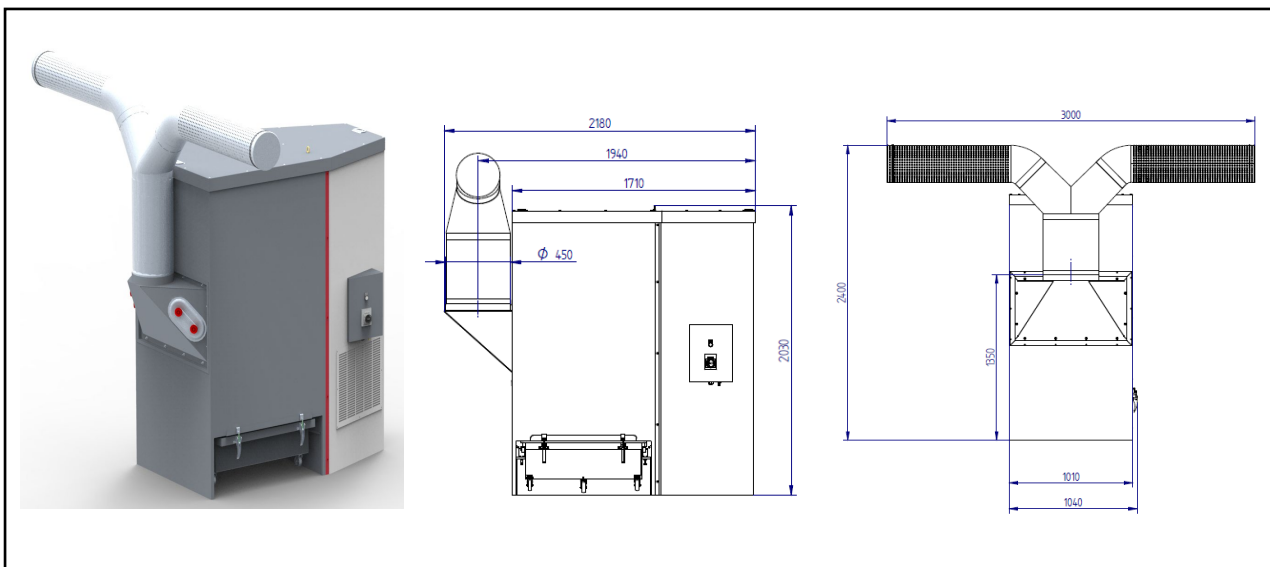


FILTOWER F-50 *ecolight*

(680050)

Voltage	(V)	400	No. of filter elements	(pc)	4
Motor	(kW)	4,0	Filter material		Dust class M
Ampere	(A)	7,5	Filter cleaning		Jet-cleaning
Rated frequency	(Hz)	50	Weight	(kg)	ca. 445
Fuse	(A)	C16	Collection bin	(liter)	100 - 150
max. neg. pressure	(Pa)	3.300	Dimensions (L x W x H)	(mm)	2.180 x 3.000 x 2.400
max. air flow	(m ³ /h)	5.600	Compressed air requirement	(l/Impuls)	ca. 19*
Sound level	(dBA)	78	Compressed air connection	(bar)	4-6
Filter surface	(m ²)	56	* at 4 bar with valve opening 0,12 sec 0,12sec		



ESTA PLUS

Application range:

- Fume extraction of dry, oil-free welding fumes arising during welding of metals
- For ventilation of rooms

Your Benefits at a glance:

- Effective extraction through utilisation of the thermal effect of the process
- Low operating costs due to cleanable permanent filter cartridges
- Compact design and reduced spatial requirements
- Flexible deployment - the installation location can be changed at any time

Characteristics:

- Jet-Filter cleaning
- Cleanable permanent filter cartridges of dust class M
- Newly conceived EasyControl control unit
- Integrated impact separator

Optionen:

- Activation via potential-free contact
- Activated carbon inlets at the exhaust

State of the art: 680050-51-02 Subject to change without notice! For remaining questions, please do not hesitate to contact us.

ESTA Apparatebau GmbH & Co. KG
 Gotenstraße 2 – 6
 89250 Senden / GERMANY

Phone +49 7307 804-0
 Fax +49 7307 804-500
 E-Mail info@esta.com

www.esta.com