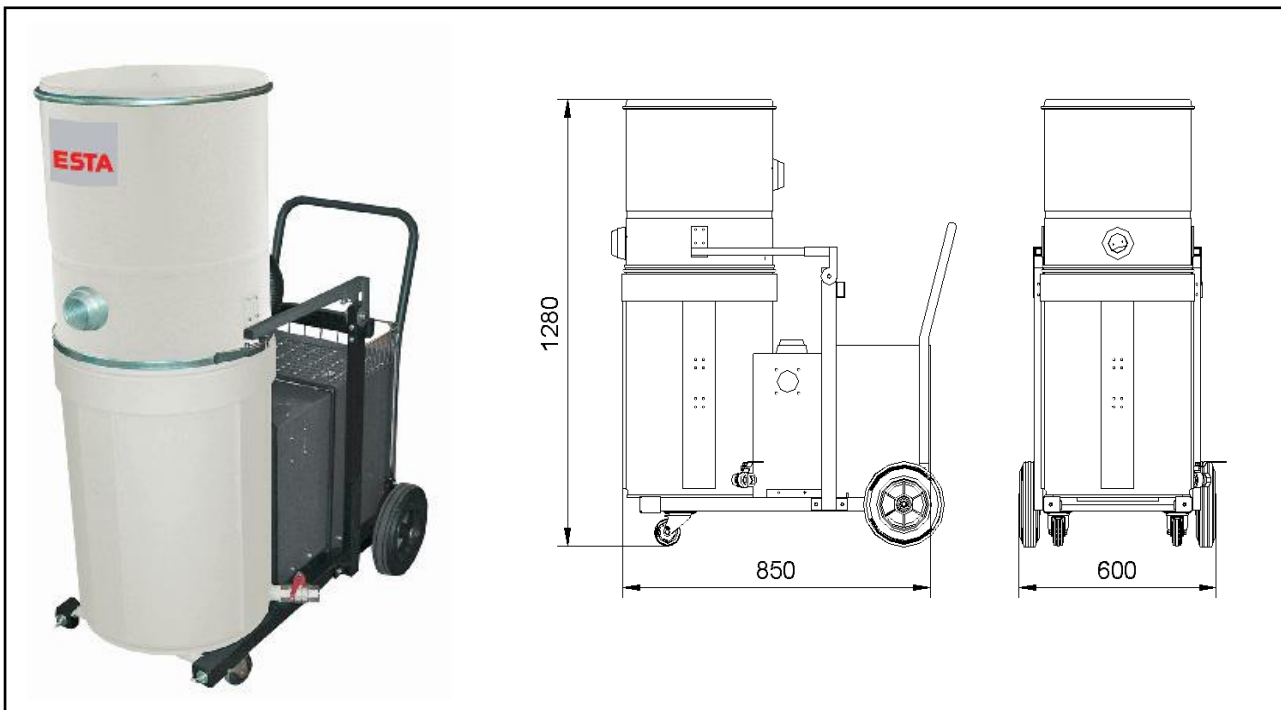


SPÄNESOG-S

(81.50)

Voltage	(V)	400	Filter surface	(m ²)	4,2
Motor	(kW)	2,2	No. of filter elements	(pc)	1
Ampere	(A)	4,5	Filter material	oil and water resistant	
Rated frequency	(Hz)	50	Weight	(kg)	90
Fuse	(A)	16	Intake	(mm)	50
Max. neg. pressure	(Pa)	20.000	Dust collection bin	(Liter)	100
Max. airflow	(m ³ /h)	300	Dimension (L x W x H)	(mm)	850 x 600 x 1.280



ESTA PLUS

Application range:

- Removal of metal shavings with coolants

Characteristics:

- Washable oil and water resistant filter cartridge

Your benefits at a glance:

- Specialized industrial vacuum cleaner for metal shavings and emulsion coated materials
- Compact and user friendly design
- Washable oil and water resistant filter cartridge

Modification:

- Special voltage
- Special painting
- Installation of a pre-separator possible

State of the art: 8150-51-00 Subject to change without notice! For remaining questions please do not hesitate to contact us.

ESTA Apparatebau GmbH & Co. KG
Gotenstraße 2 – 6
89250 Senden

Telefon 07307 804-0
Telefax 07307 804-500
E-Mail info@esta.com

www.esta.com