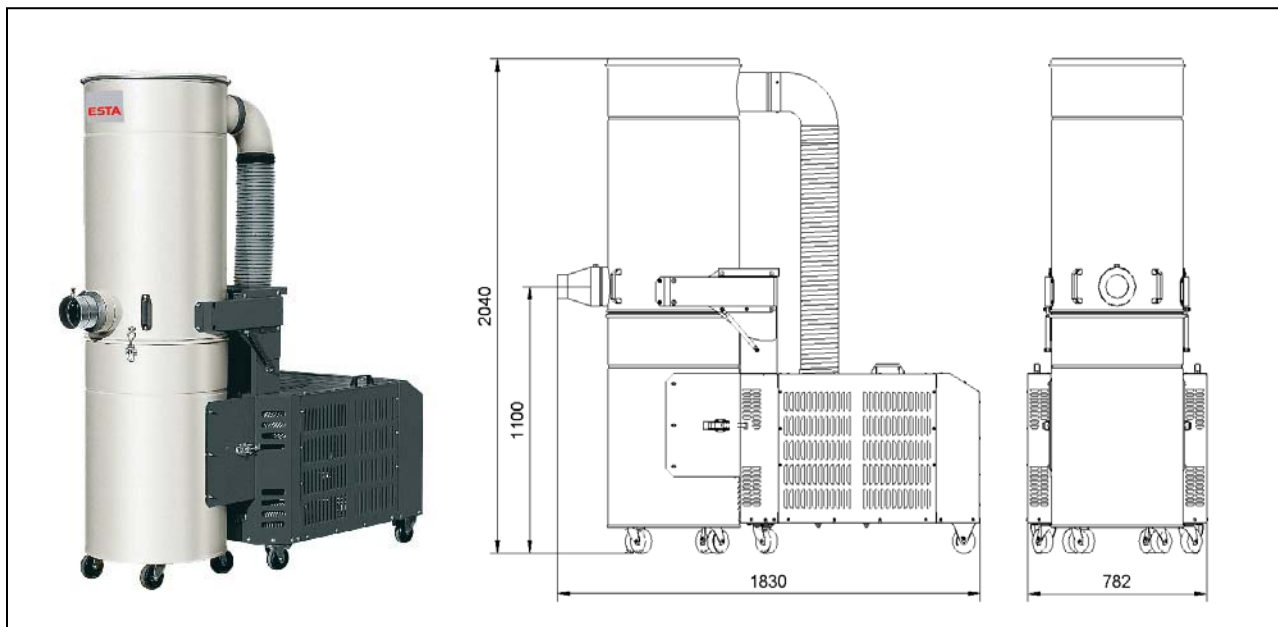


DUSTOVAC 13.0 Jet

(83.108)

Voltage	(V)	400	Filter surface	(m ²)	9,6
Motor	(kW)	13	No. of filter elements	(pc)	4
Ampere	(A)	28	Filter material	Dust classification "M"	
Rated frequency	(Hz)	50	Filter cleaning	Jet cleaning system	
Fuse	(A)	32	Weight	(kg)	ca. 390
Max. neg. pressure intake	(Pa)	22.000	Intake	(mm)	125
Max. airflow	(m ³ /h)	1.100	Dust collection bin	(Liter)	ca. 200
Comp. air connection	(inch)	1/4"	Dimensions (l x w x h)	(mm)	1.830 x 782 x 2.040



ESTA PLUS

Application range:

Dust extraction at individual or multiple workstations in industrial plants or smaller shops
Pourable dust
Dry chips

Your benefits at a glance

High suction power through blower technology
Low operating costs
Low noise for use in multi-shift operation
Patented tilt filter housing for convenient dust disposal
Fully automatic cleaning of the filter cartridge during the working process

Characteristics:

Filter cleaning system:
automatic pulse-jet filter cleaning system
Cleanable long life cartridge filters (dust classification M)

Special equipment with different filter cartridges, exhaust air socket, special voltage, special painting, pre-separator, external control via potential free contact possible

State of the art: 83108-51-00 Subject to change without notice! For remaining questions please do not hesitate to contact us.