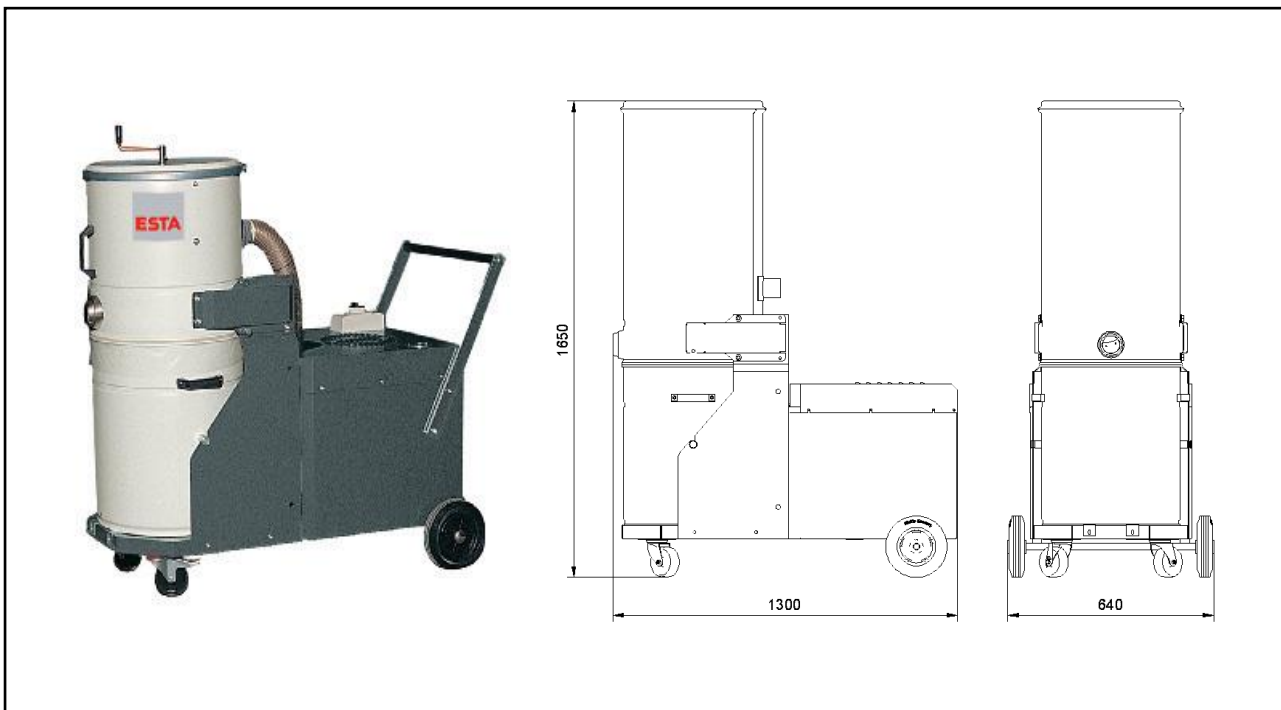


WHISPERSOG 3.0 FA

(83.202)

| | | | | | |
|--------------------|---------------------|--------|------------------------|-------------------------|---------------------|
| Voltage | (V) | 400 | Filter surface | (m ²) | 3,5 |
| Motor | (kW) | 3,0 | No. of filter elements | (pc) | 1 |
| Ampere | (A) | 4,5 | Filter material | dust classification "M" | |
| Rated frequency | (Hz) | 50 | Filter cleaning | pneumatic | |
| Fuse | (A) | 16 | Weight | (kg) | 155 |
| Max. neg. pressure | (Pa) | 31.500 | Intake | (mm) | 50 |
| Max. airflow | (m ³ /h) | 216 | Dust collection bin | (Liter) | 80 |
| | | | Dimension (L x W x H) | (mm) | 1.300 x 640 x 1.650 |



ESTA PLUS

Application range:

- Removal of coarse, fine and pourable dust during cleaning works

Characteristics:

- Filter cleaning: pneumatic filter cleaning

Your benefits at a glance:

- Very quiet and powerful vacuum cleaner for dry dust
- Designed for continuous operation
- Cleanable long life cartridge filters with dust classification M
- Easy disposal of the dust collection bag by a patented tiltable filter housing

Modification:

- Special voltage
- Special painting
- Installation of a pre-separator possible
- With different filter cartridges

State of the art: 83202-51-00 Subject to change without notice! For remaining questions please do not hesitate to contact us.

ESTA Apparatebau GmbH & Co. KG
Gotenstraße 2 – 6
89250 Senden

Telefon 07307 804-0
Telefax 07307 804-500
E-Mail info@esta.com

www.esta.com