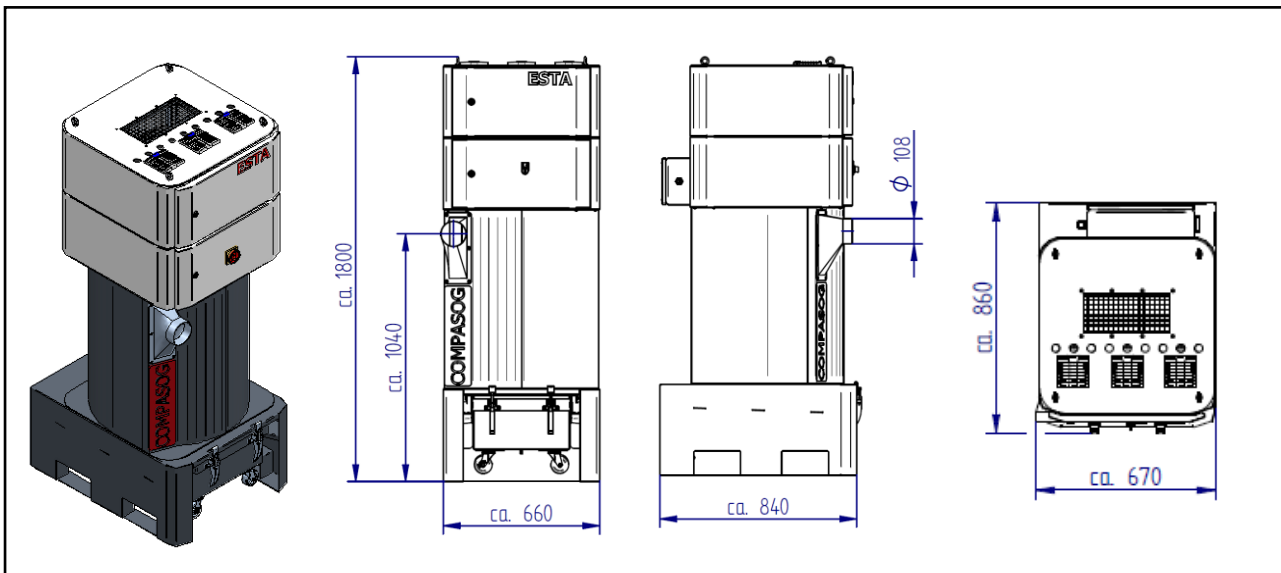


## COMPASOG-ST

(83.400)

Voltage	(V)	400	No. of filter elements	(Piece)	1
Motor	(kW)	3 x 1,8	Filter material		Staubklasse „M“
Ampere	(A)	13	Filter cleaning		Jet-Pulse
Rated frequency	(Hz)	50	Weight	(kg)	ca. 230
Fuse	(A)	C32	Intake	(mm)	ø 108
max. neg. pressure	(Pa)	22.000	Collection bin	(Liter)	ca. 40
max. air flow	(m <sup>3</sup> /h)	980	Dimensions (L x W x H)	(mm)	860 x 670 x 1.800
Sound level	(dBA)	73	Compressed air requirement	(l/impuls)	22
Filter surface	(m <sup>2</sup> )	8,6	Compressed air connection	(bar)	4 - 6



## ESTA PLUS

### Application range:

Dust extraction at individual and multiple workstations for machines in industrial plants or smaller shops  
Pourable dust

### Your benefits at a glance

Compact and powerful  
Low operating costs  
Convenient dust disposal  
Can be used as a central extraction system  
Suitable for nearly all types of dust

### Characteristics:

Pulse-jet filter cleaning system  
Integrated cyclonic separator  
Cleanable long life cartridge filters (dust classification M)  
Brushless suction turbines (for continuous operation)

### Options:

with potential free contact  
Continuously electrically conductive

State of the art: 83400-51-02 Subject to change without notice! For remaining questions, please do not hesitate to contact us.